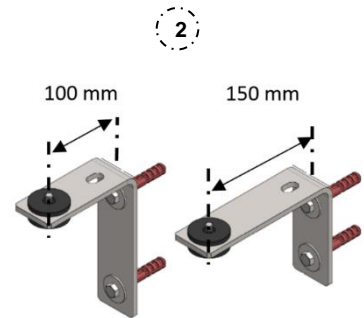
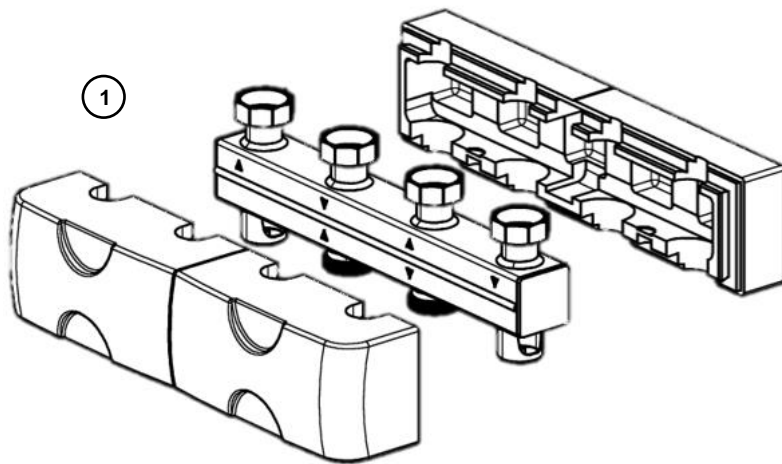


tubra[®]-Verteilermodul DN 25 (VM 2-5)



 optional

Pos.	Nr.:	Product	B*H*T	X	Y	W	kW	m ³ /h	C	D
1	657.25.15.00	tubra [®] -VM-2 DN25	500*118*159	125	125	375	115	5	G 1 1/2"	G 1 1/2"
	657.25.35.00	tubra [®] -VM-3 DN25	750*118*159	125	125	375	115	5	G 1 1/2"	G 1 1/2"
	657.25.45.00	tubra [®] -VM-4 DN25	1000*118*159	125	125	625	115	5	G 1 1/2"	G 1 1/2"
	657.25.55.00	tubra [®] -VM-5 DN25	1250*118*159	125	125	625	115	5	G 1 1/2"	G 1 1/2"
2	659.25.32.00	tubra [®] -WH DN25/32	175*125*50	-	-	-	-	-		

P_{max}: 6 bar
T_{max}: 110°C

