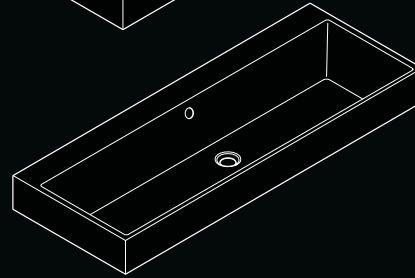
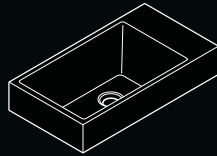
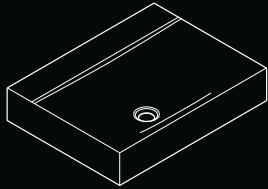
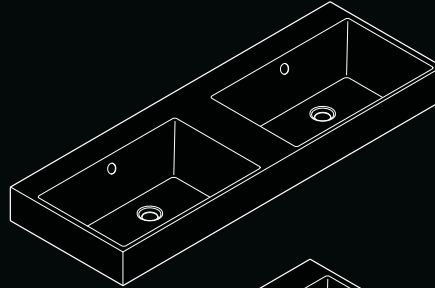
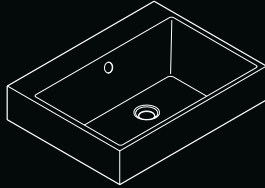
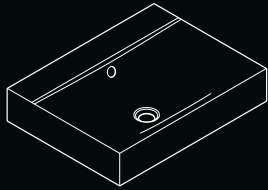


KALDEWEI

SILENIO

PURO



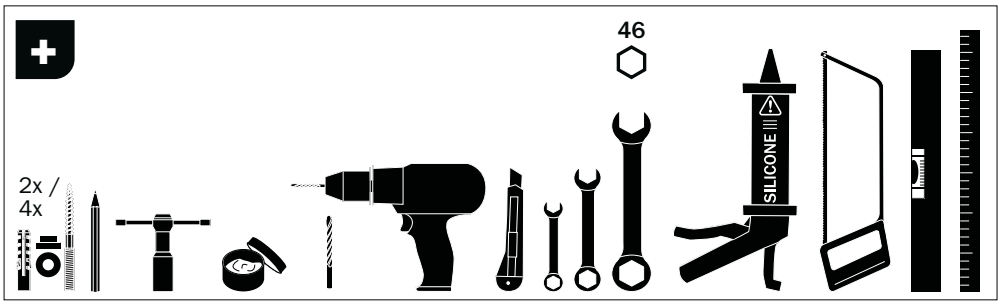
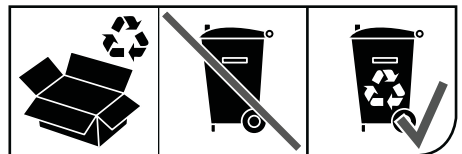
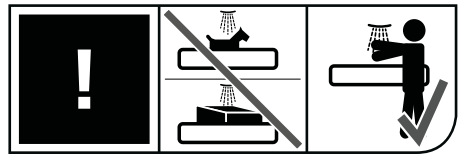
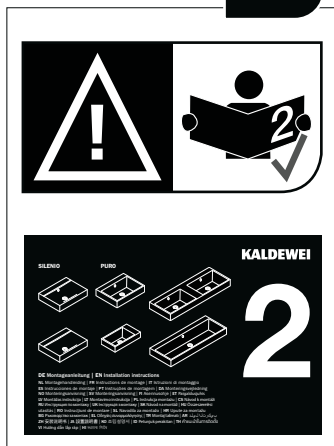
2

DE Montageanleitung | EN Installation instructions

NL Montagehandleiding | FR Instructions de montage | IT Istruzioni di montaggio
ES Instrucciones de montaje | PT Instruções de montagem | DA Monteringsvejledning
NO Monteringsanvisning | SV Monteringsanvisning | FI Asennusohje | ET Paigaldusjuhised
LV Montāžas instrukcija | LT Montavimo instrukcija | PL Instrukcja montażu | CS Návod k montáži
RU Инструкция по монтажу | UK Інструкція з монтажу | SK Návod na montáž | HU Összeszerelési utasítás | RO Instrucțiuni de montare | SL Navodila za montažo | HR Upute za montažu
BG Ръководство за монтаж | EL Οδηγίες συναρμολόγησης | TR Montaj talimatı | AR بيكرتلا لي ليد
ZH 安装说明书 | JA 設置説明書 | KO | ID Petunjuk perakitan | TH คำแนะนำในการติดตั้ง
VI Hướng dẫn lắp ráp | HI स्थापना निर्देश

1.

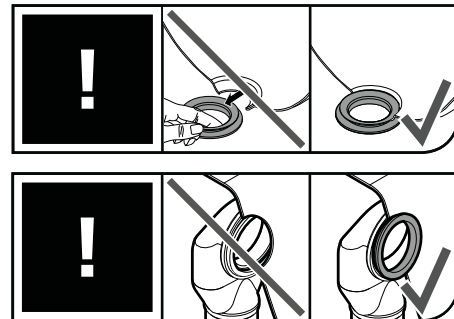
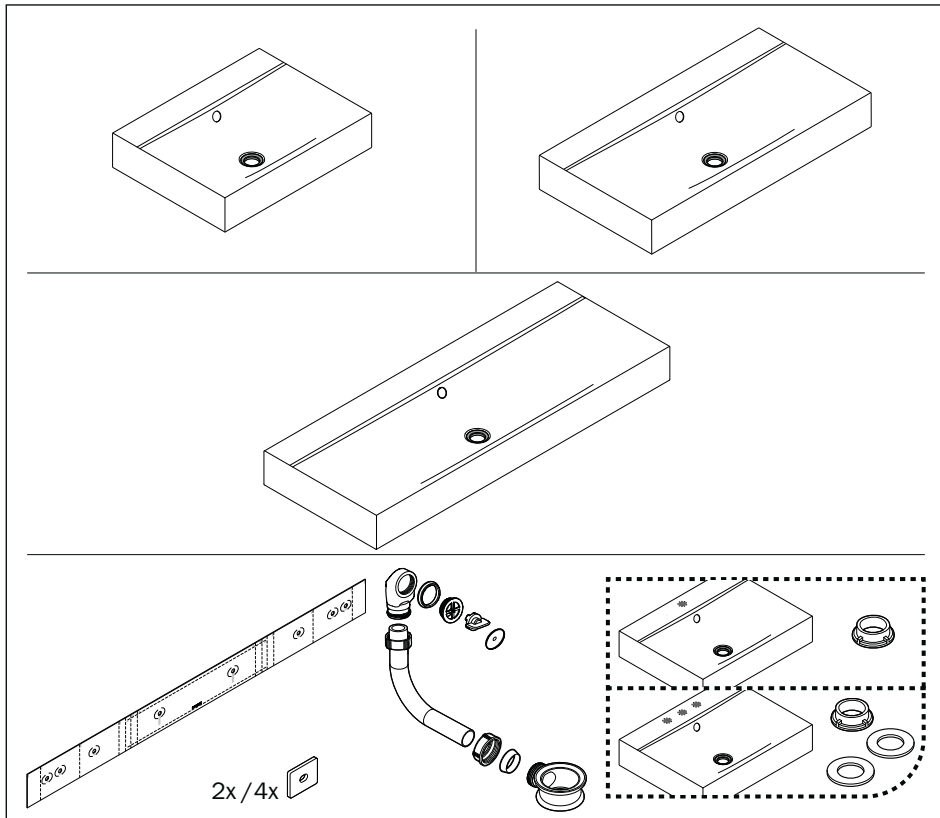
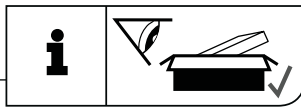
2.



CE 15 KWT 001

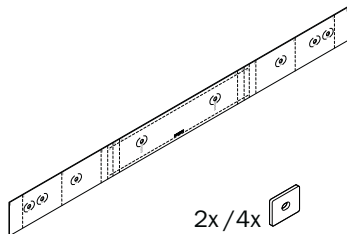
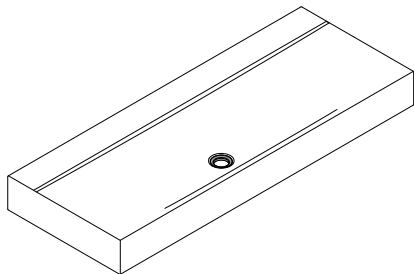
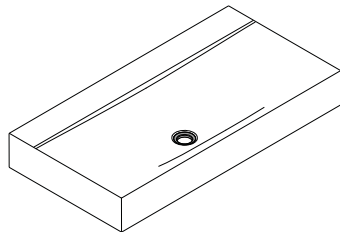
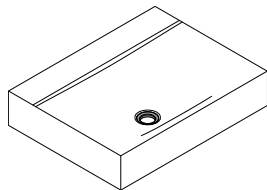
Inch = mm x 0,0394

SILENIO **A**

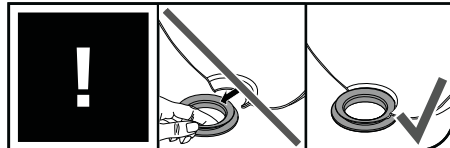
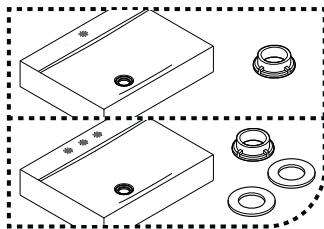


SILENIO **B**

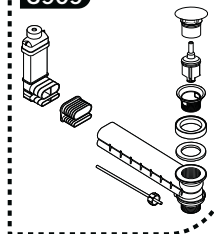
i



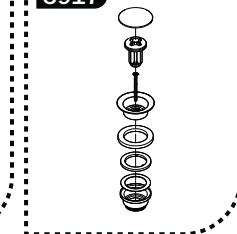
2x/4x



3909

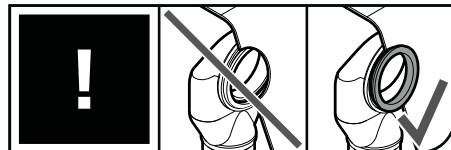
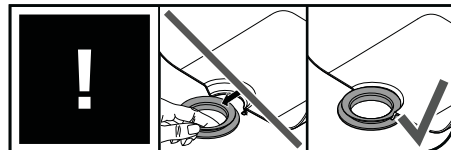
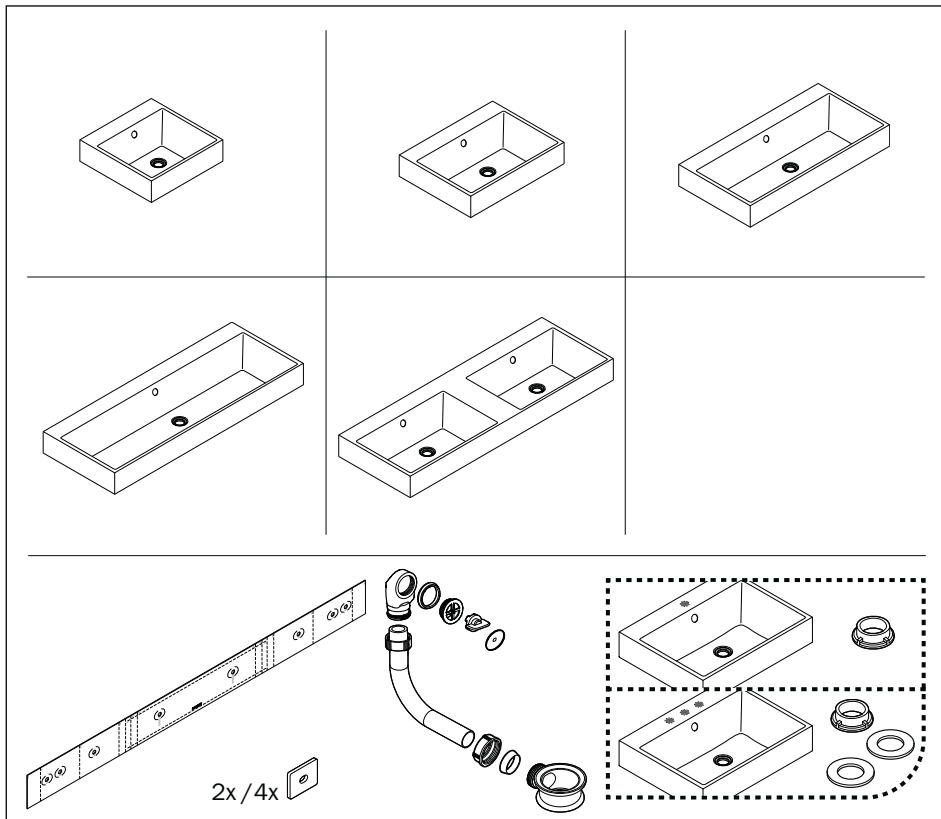


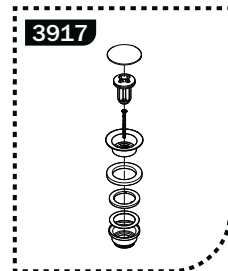
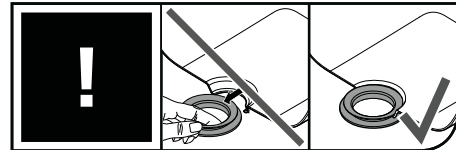
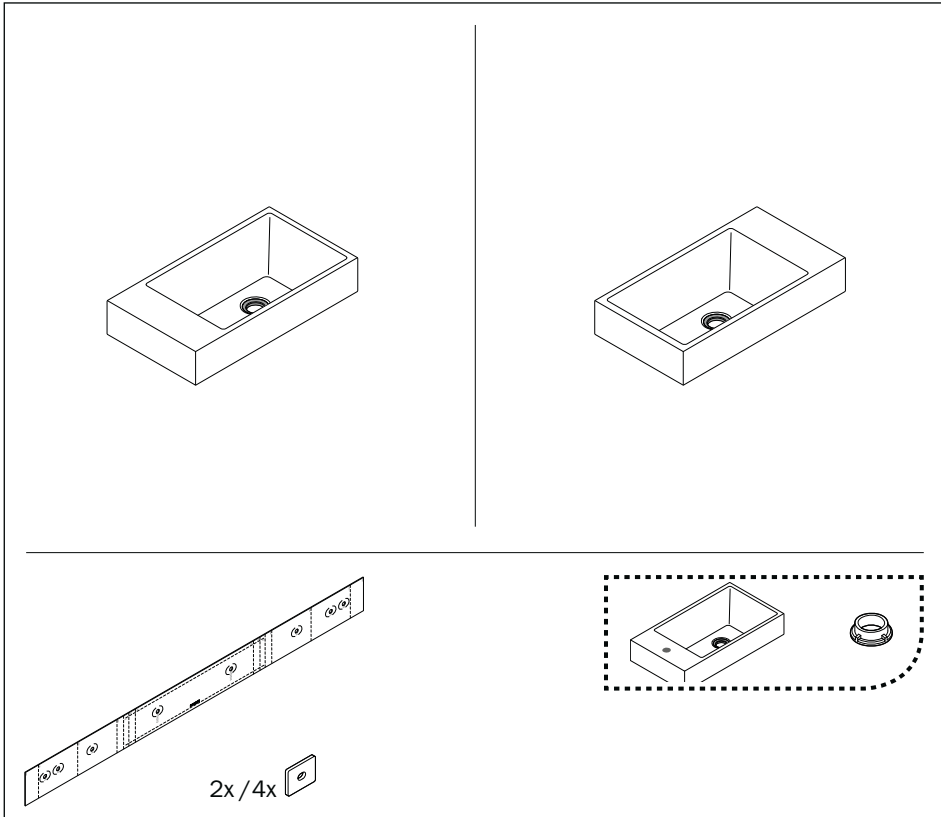
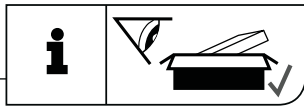
3917

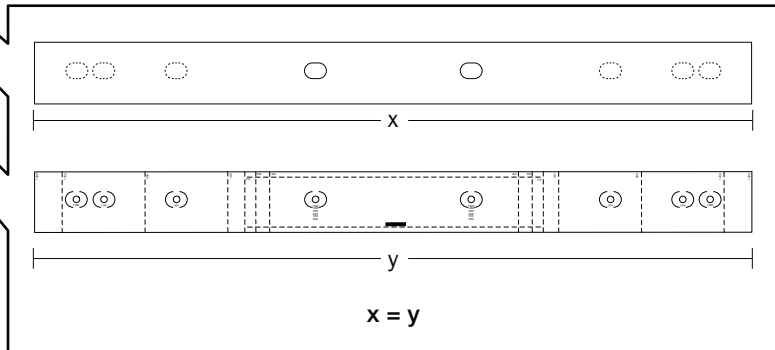
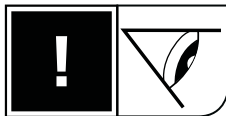
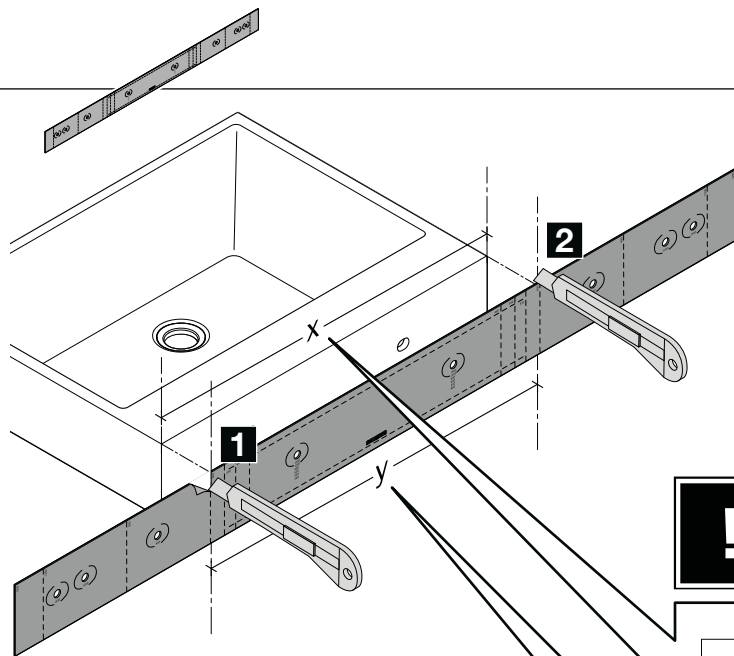


PURO **A**

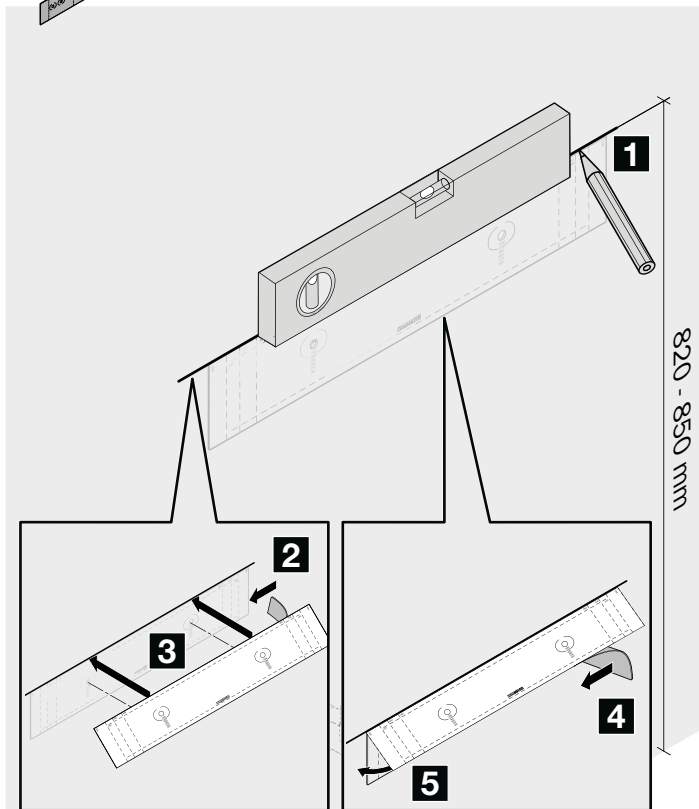
i



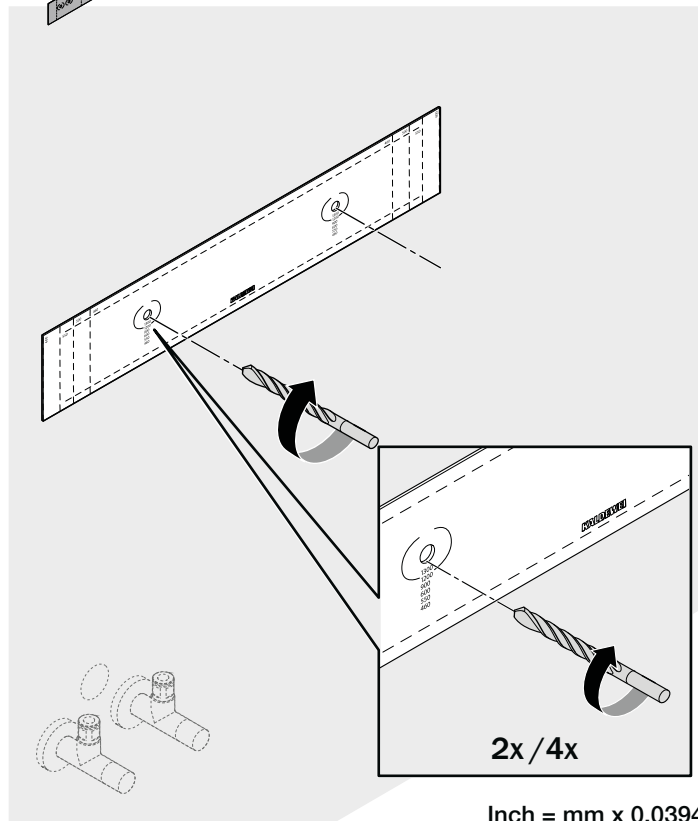


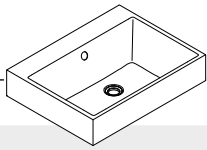


4.

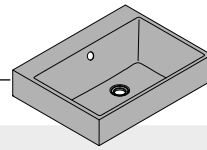


5.

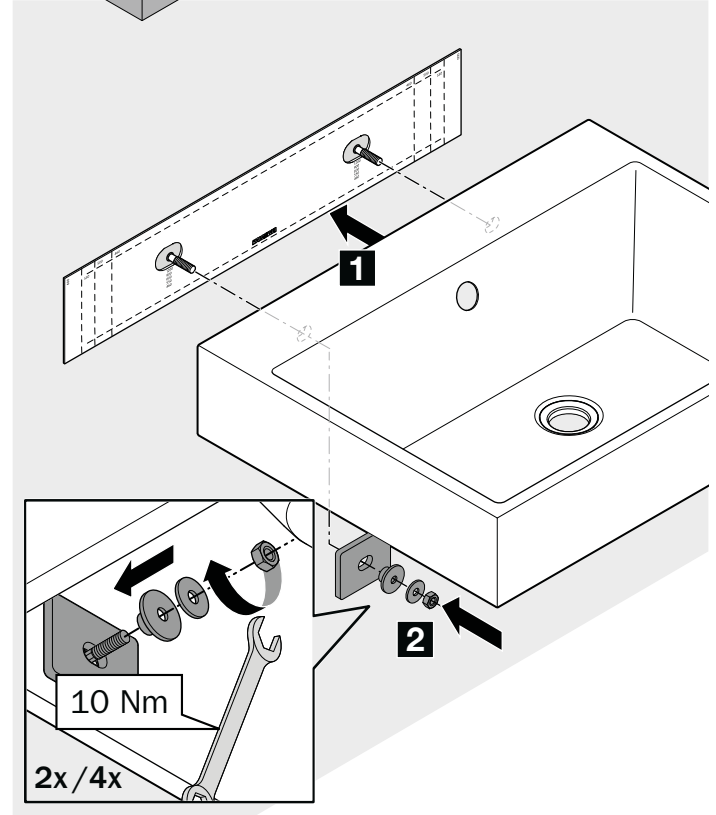
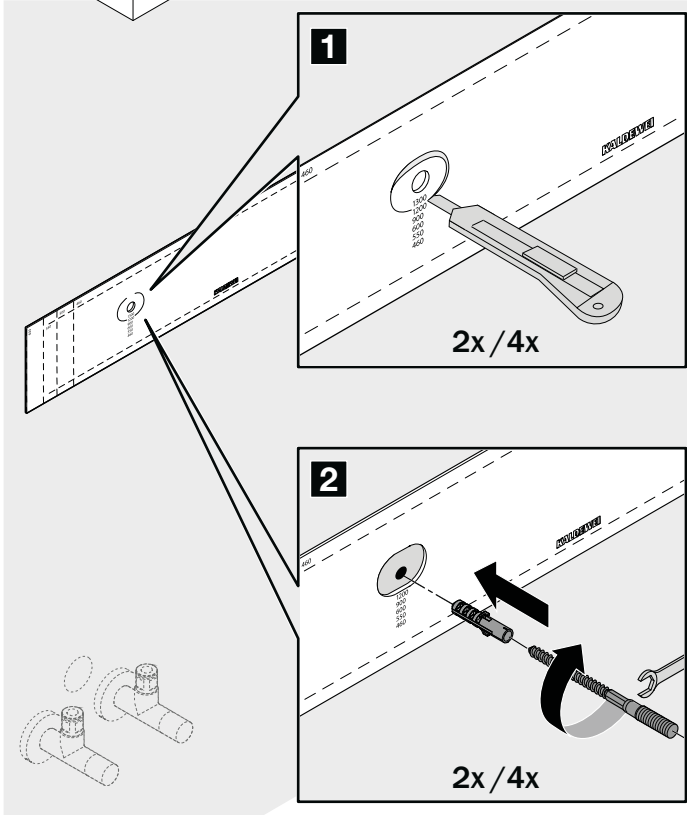


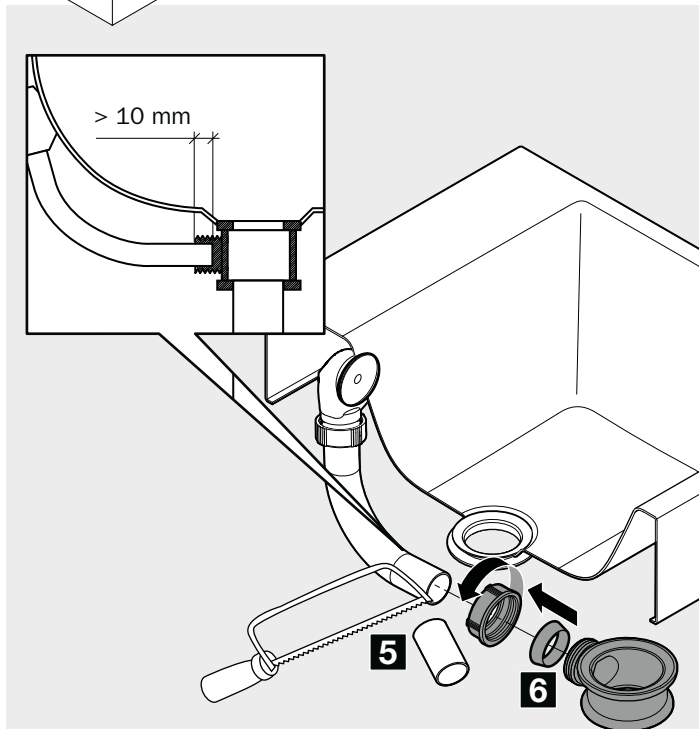
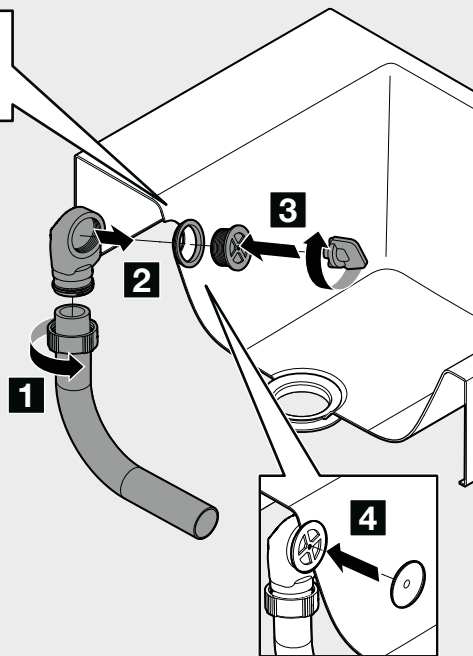
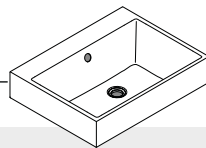


6.

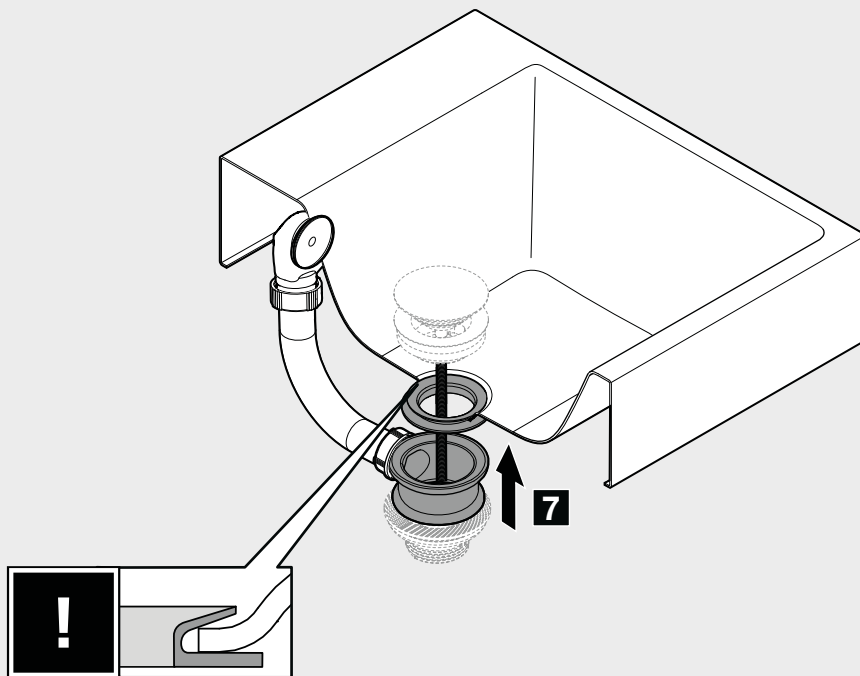


7.

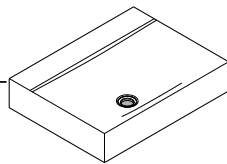




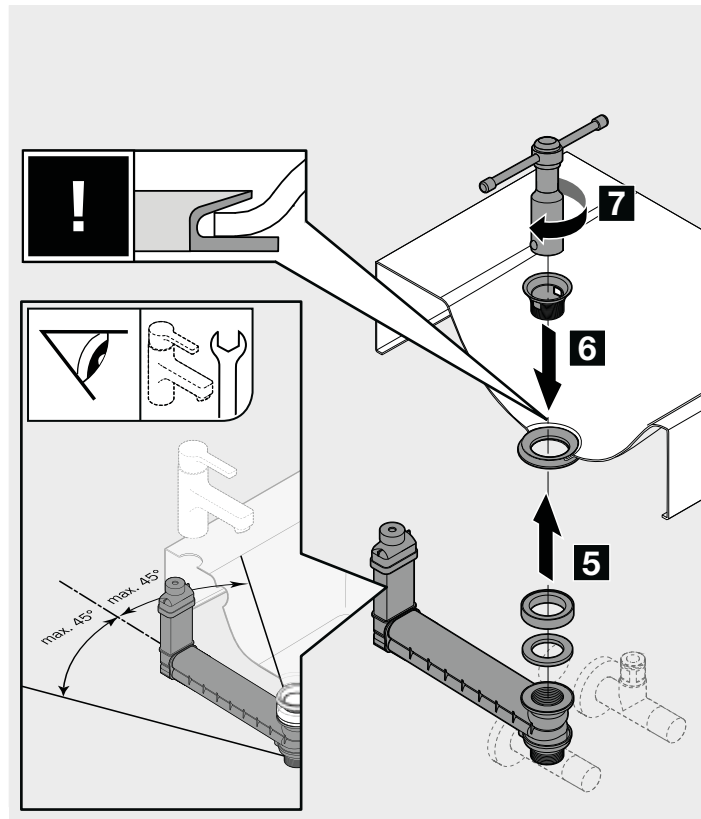
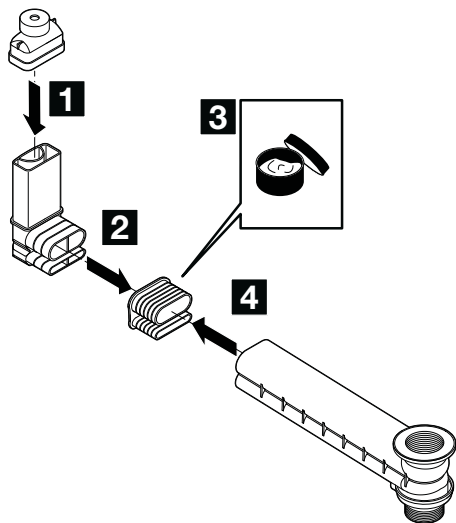
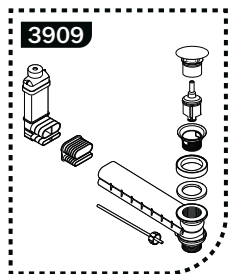
Inch = mm x 0,0394

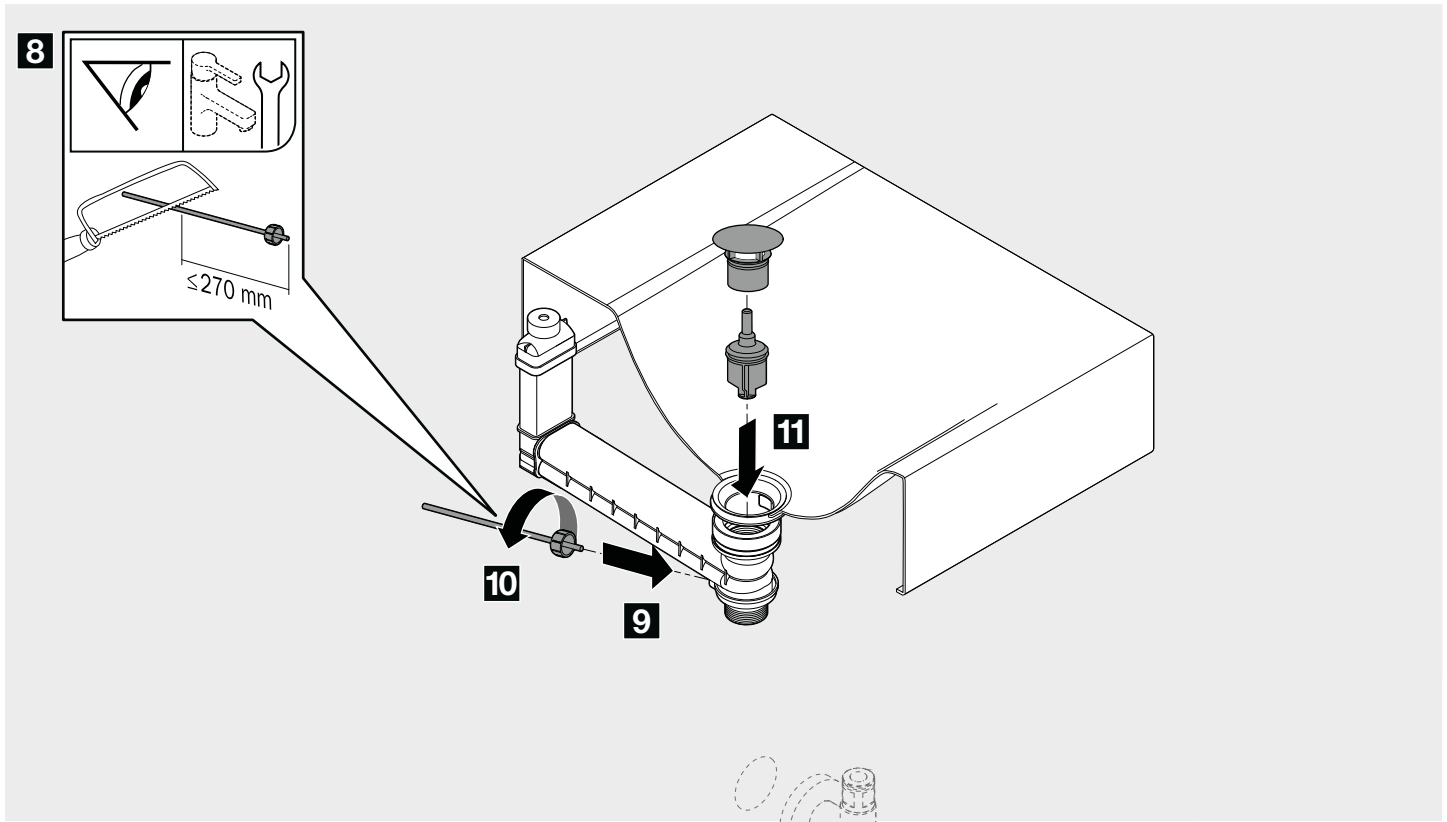


SILENIO B



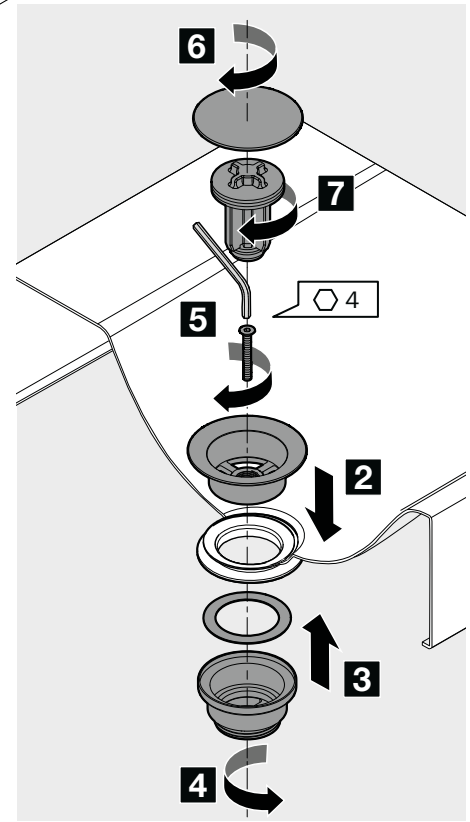
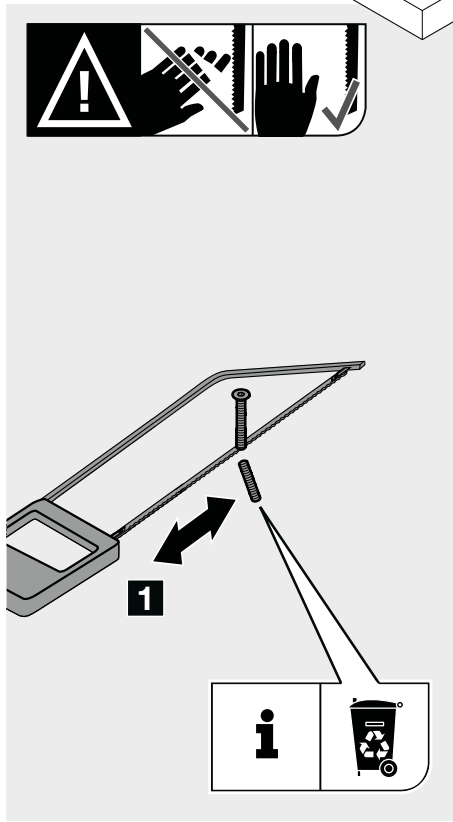
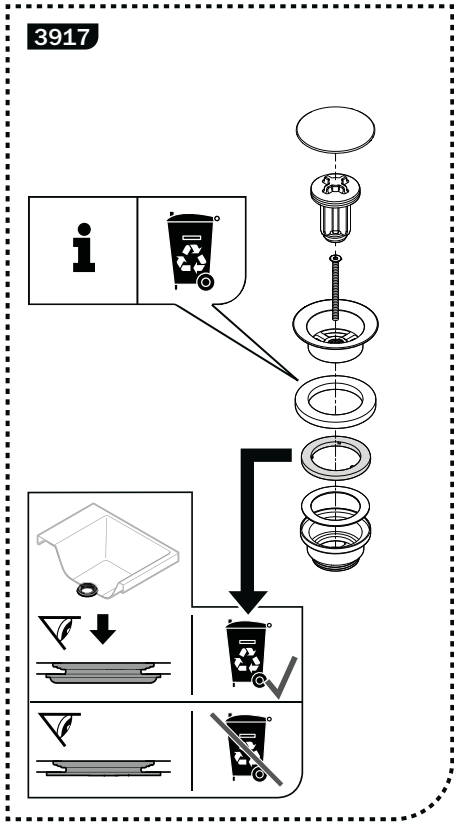
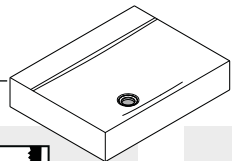
a **8.**

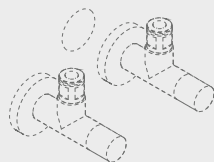
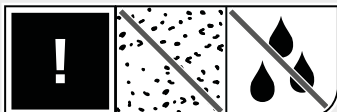
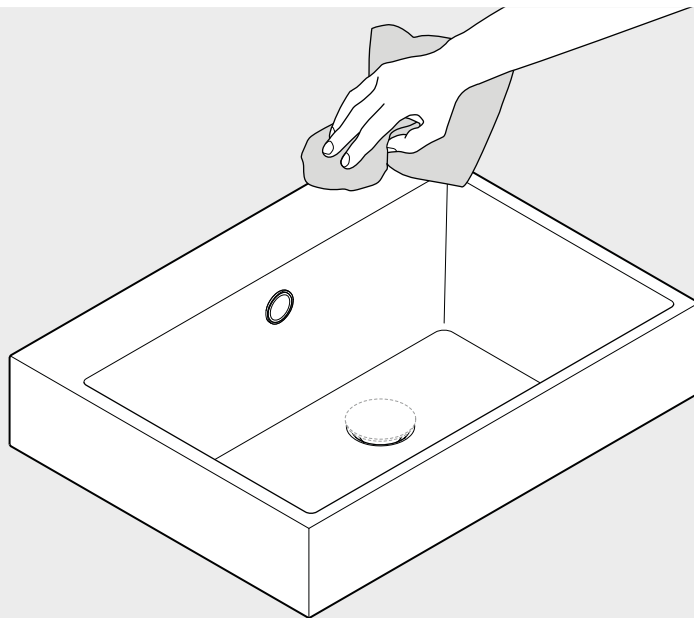
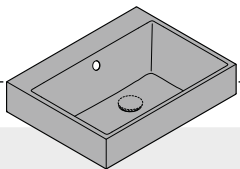


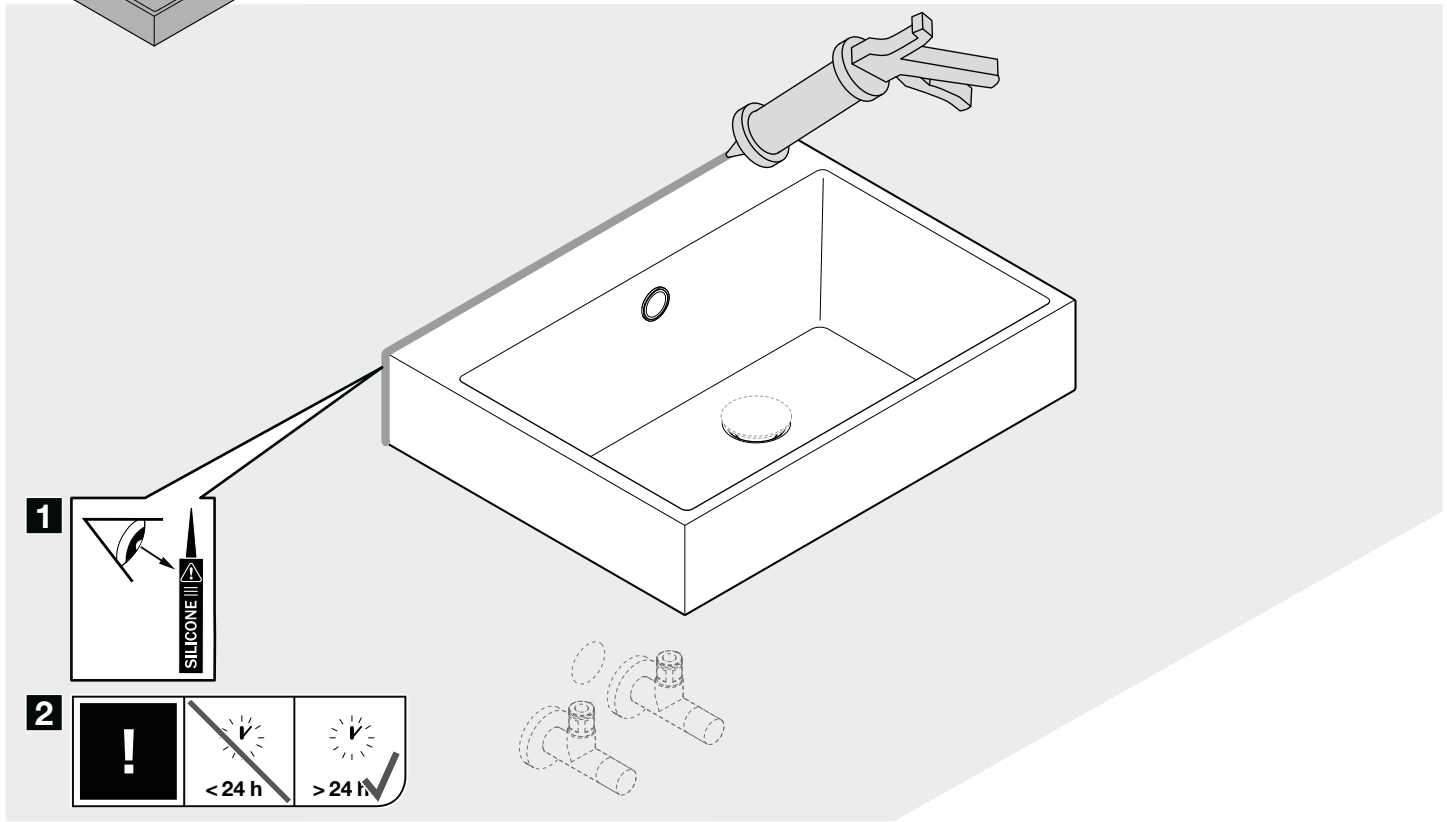
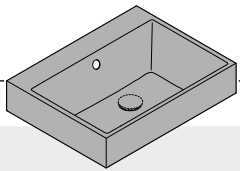


SILENIO PURO B

b 8.







1

SILICONE

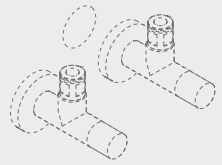
Diagram illustrating step 1: applying silicone sealant to the corners of the sink. An eye icon indicates the application point, and a pencil icon shows the application of the sealant.

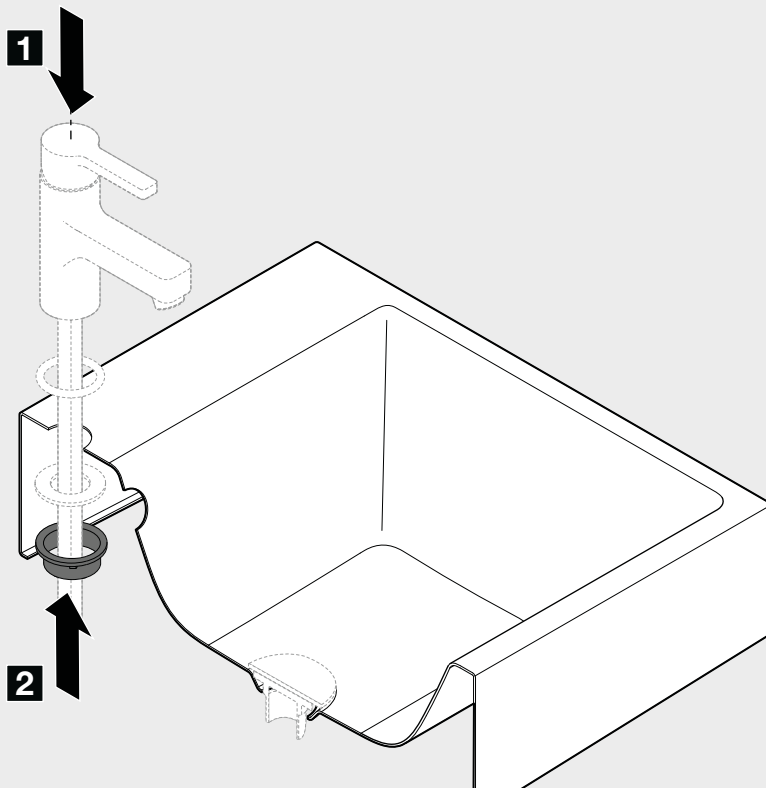
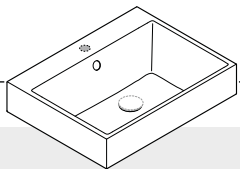
2

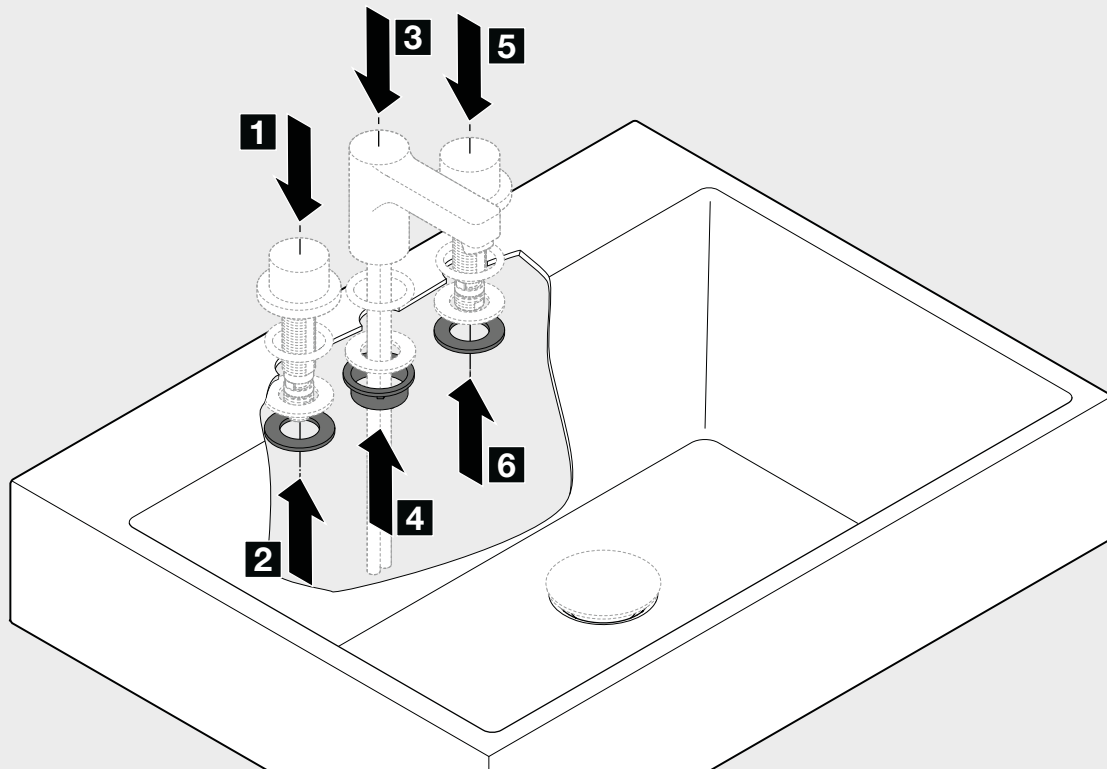
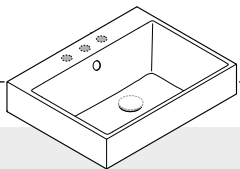
< 24 h

> 24 h

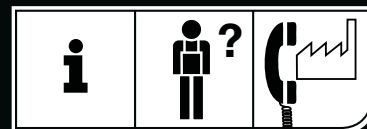
Diagram illustrating step 2: curing time requirements. A warning sign icon indicates that curing must be completed. Two clock icons show that curing must take more than 24 hours.









KALDEWEI



Franz Kaldewei GmbH & Co. KG
Beckumer Str. 33-35

D-59229 Ahlen

 +49 2382 785 0

 +49 2382 785 200

www.kaldewei.com

