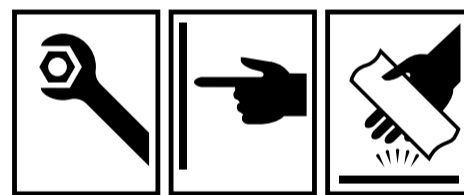
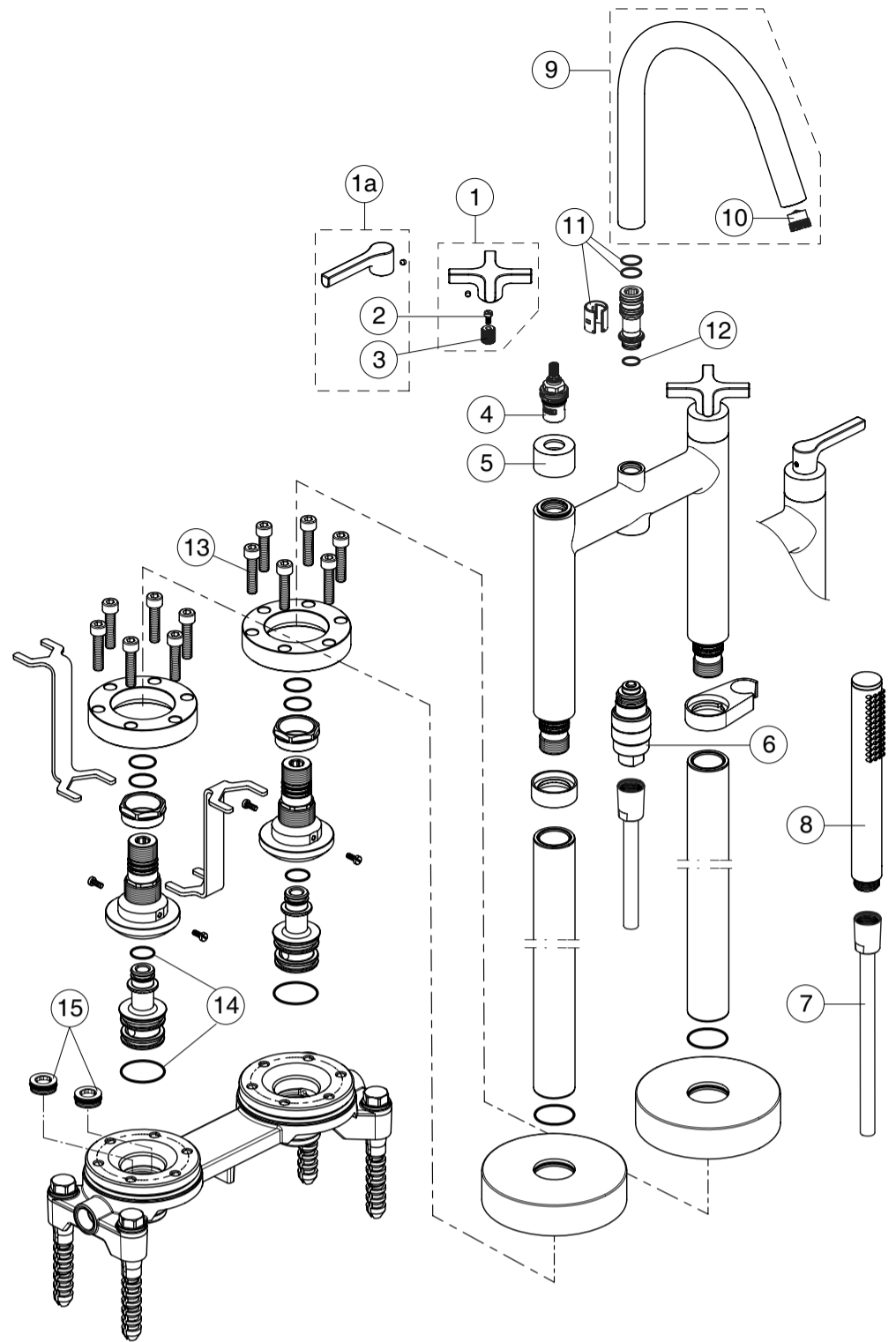


Ordering spares / Ersatzteil - Regelung / Pièces de rechange / Parti di ricambio / Lista de recambios / Onderdelen bestellen (NL/B) / Κωδικός Ανταλλακτικών / Bestilling af reservedele / Beställning av reservdelar / Bestilling av reservedeler / Резервни части / Запчасти / Części zapasowe / Piese de schimb / Rendelhető alkatrészek / Запасні частини / Резервни делови / Резервни делови / Atsarginių dalių / Tellitavad varuosad / Rezerves daļas / Náhradní díly / Náhradné diely / Yedek parça siparişi / Nadomestni deli

XX = AA, AD, .....

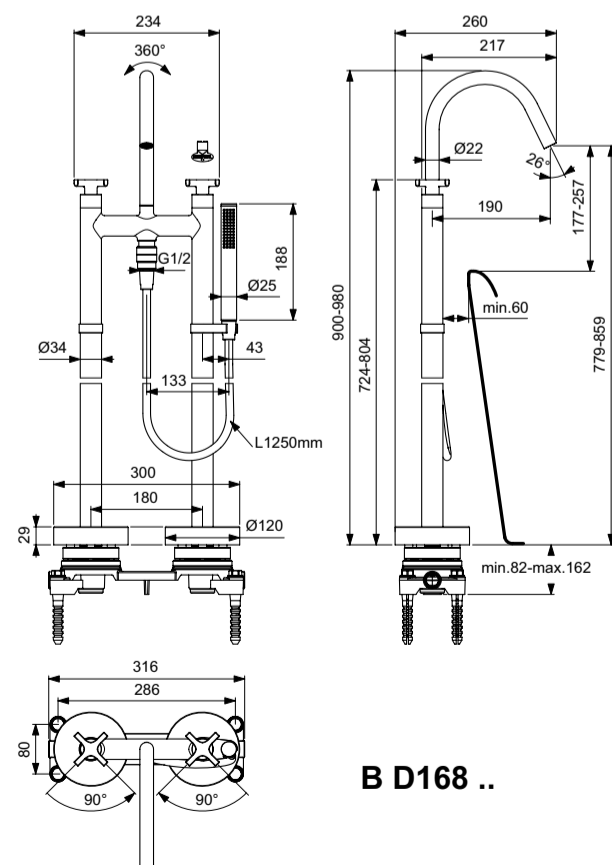
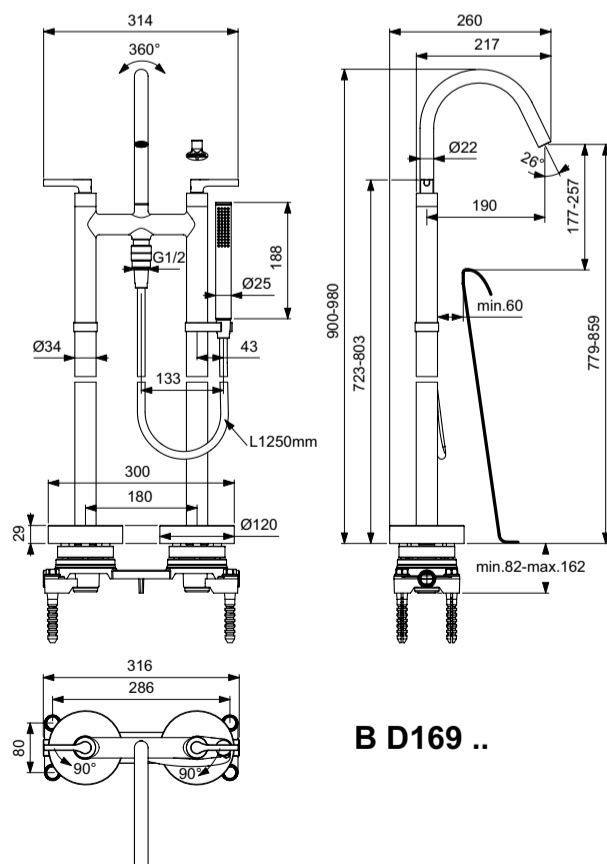
- 1 - B 961756 XX
- 1a - B 961761 XX
- 2 - B 961631 NU
- 3 - B 961326 NU
- 4 - A 861243 NU - LH
- 4a - A 861244 NU - RH
- 5 - B 961758 XX
- 6 - B 961673 XX
- 7 - A 3306 XX
- 8 - B C774 XX
- 9 - B 961663 NU
- 10 - A 960500 NU
- 11 - B 961574 NU
- 12 - A 962728 NU
- 13 - A 960242 NU
- 14 - A 861497 NU
- 15 - A 963548 NU



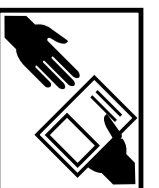
Ideal Standard

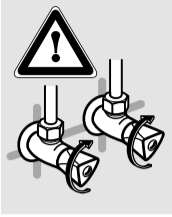
JOY NEO

01.2022 / B565165

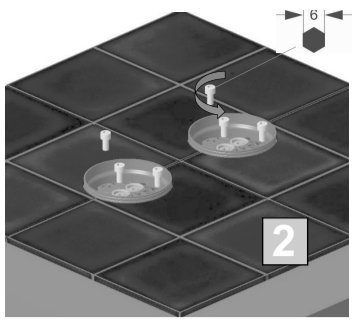


Ideal Standard International NV  
Corporate Village – Gent Building  
Da Vincilaan 2  
1935 Zaventem  
Belgium  
<http://www.idealstandardinternational.com>

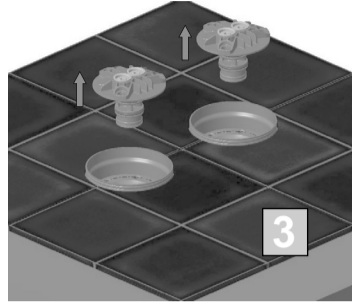




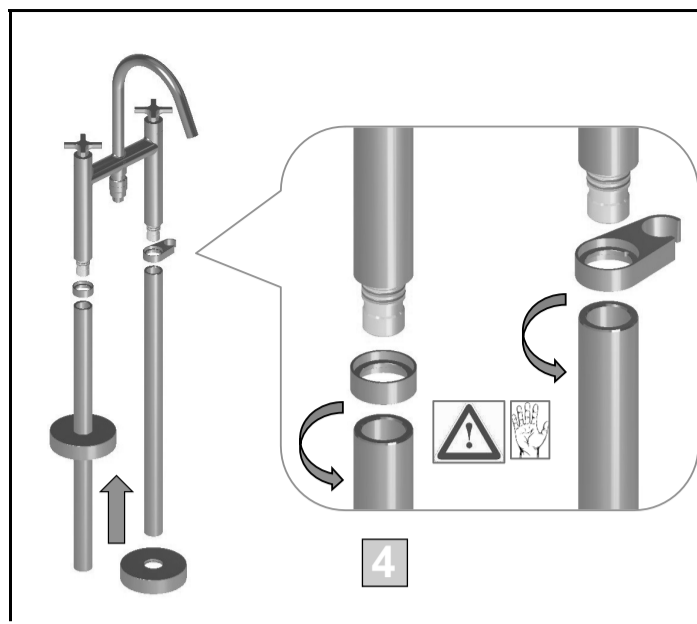
1



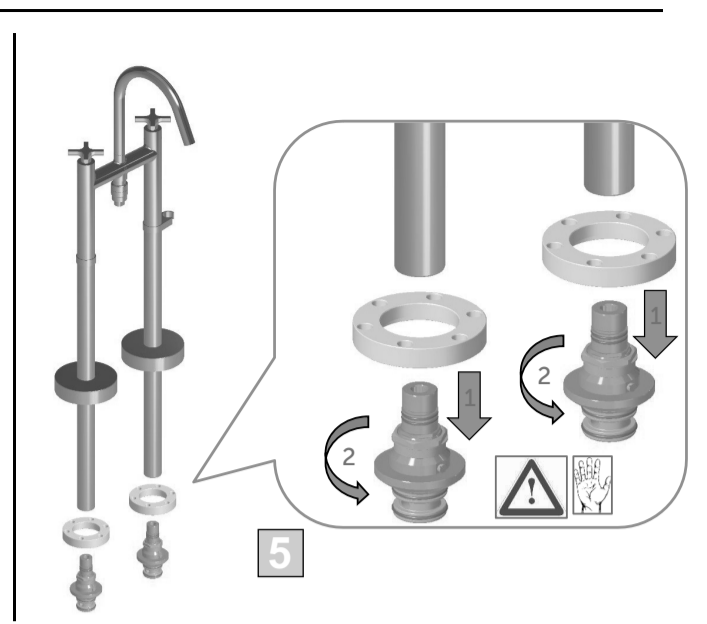
2



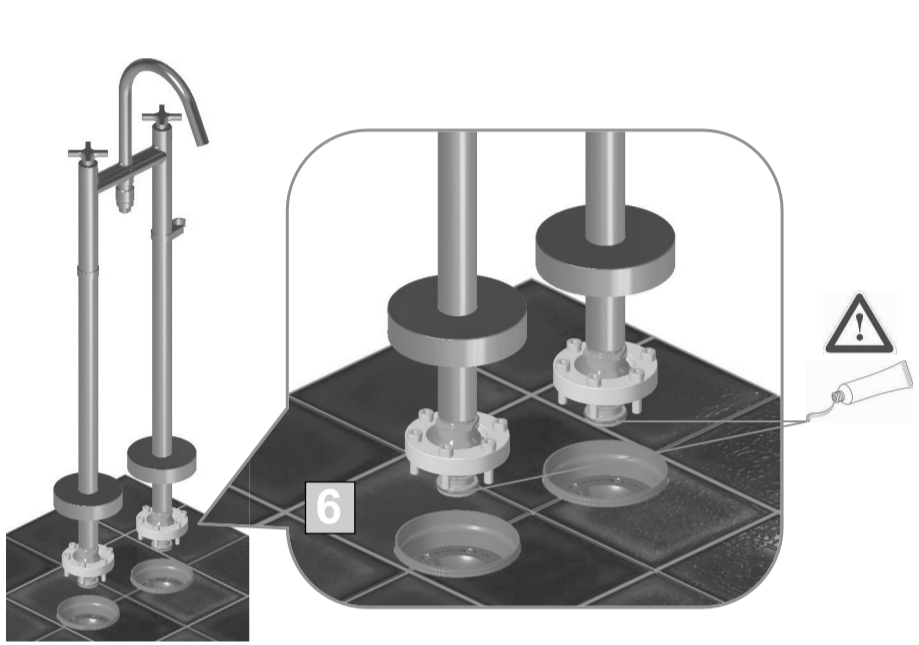
3



4



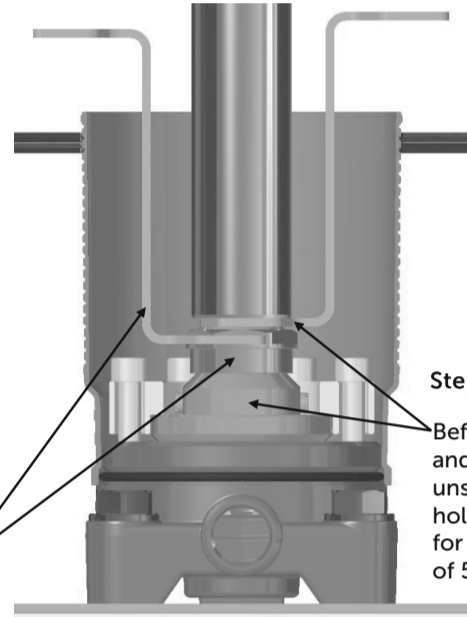
5



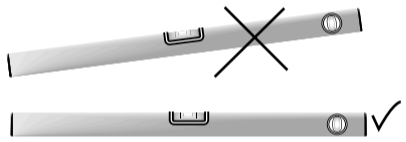
6

7

Step 2  
After adjustment, tighten the nuts (SW 34) to the brass pipes.



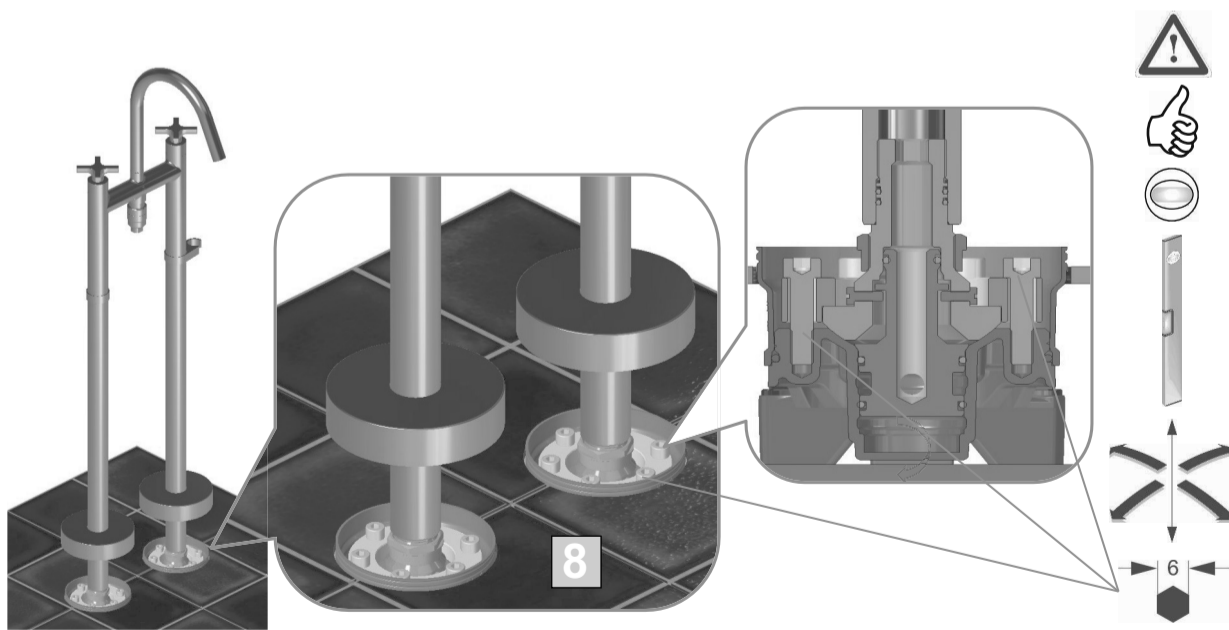
Step 1  
Before leveling the pipes and tightening the flanges, unscrew the brass nipples holding the pipes by hand for max. height adjustment of 5 mm.



360° = 1mm



S34



8



9

P bar	0,5	MAX. 10	1		Q (3 bar)	
T °C		MAX. 80	65 40			l/min
					>20	18