



HANSA

Installation and maintenance guide



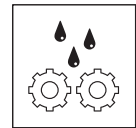
4-10



11-14



14



15-21

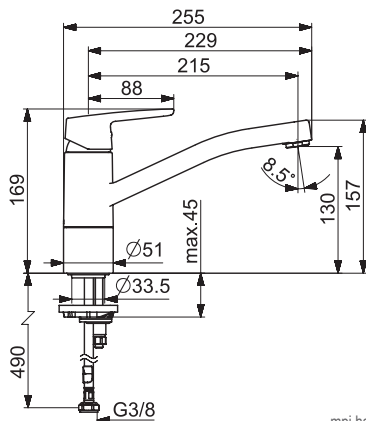
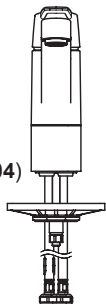


22



5148 2293 , 5148 2293 0004 , 5148 2293 0006

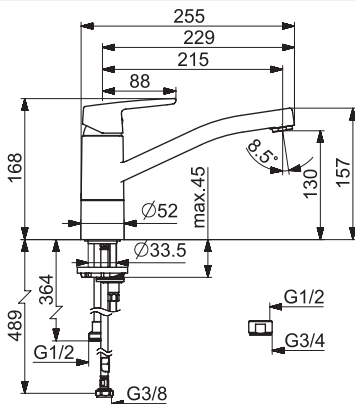
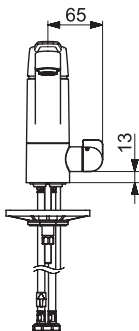
I (ISO 3822)
 EN 817
 50 - 1000 kPa
 0.20 l/s (300 kPa)
 0.056 l/s (300 kPa) (0004)
 0.1 l/s (300 kPa) (0006)
 0.056 l/s (300 kPa w/Controller) (0004)
 0.1 l/s (300 kPa w/Controller) (0006)
 max. +70°C



mpi.hansa.com/51482293

5266 2293

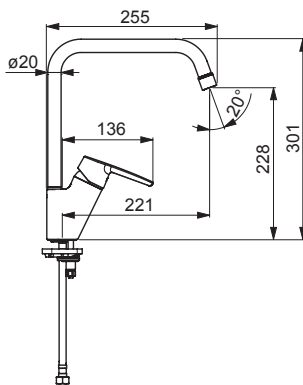
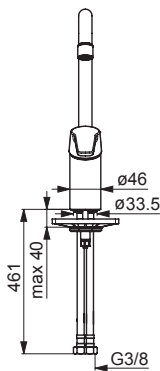
I (ISO 3822)
 EN 817
 50 - 1000 kPa
 0.20 l/s (300 kPa)
 max. +70°C



mpi.hansa.com/52662293

5270 2293

EN 817
 50 - 1000 kPa
 0.17 l/s (300 kPa)
 max. +70°C

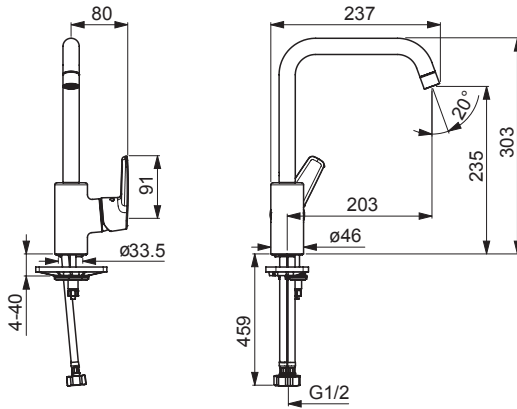


mpi.hansa.com/52702293



5156 2293 0037

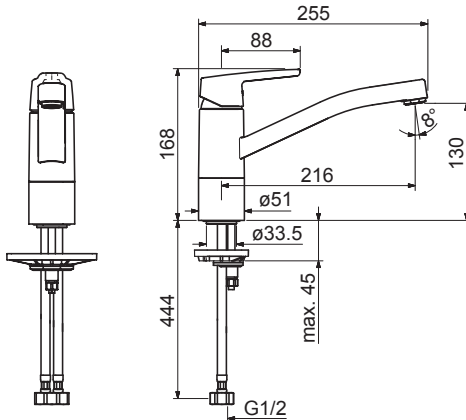
EN 817
50 - 1000 kPa
0.12 l/s (300 kPa w/Controller)
max. +70°C



mpi.hansa.com/515622930037

5148 2293 0037

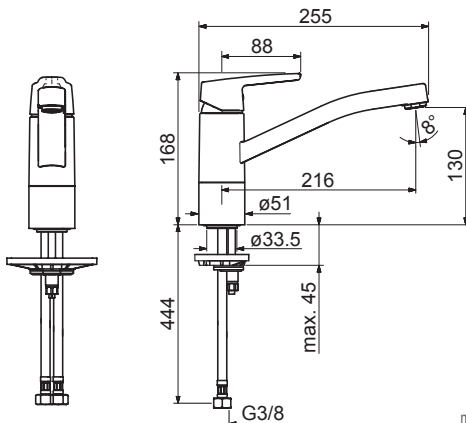
EN 817
50 - 1000 kPa
0.12 l/s (300 kPa w/Controller)
max. +70°C



mpi.hansa.com/514822930037

5148 2293 00676

I (ISO 3822)
EN 817
50 - 1000 kPa
0.08 l/s (Eco)
0.20 l/s (300 kPa)
max. +70°C

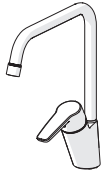
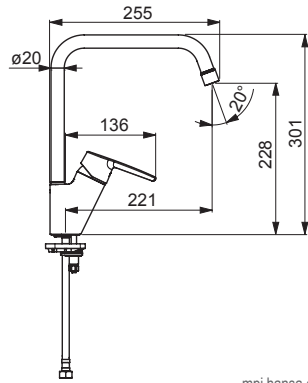
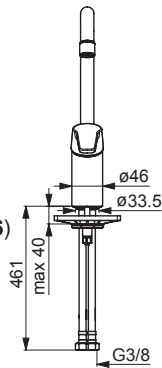


mpi.hansa.com/5148229300676



5270 2203 00066 , 5270 2203 00046

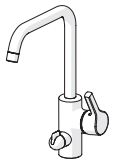
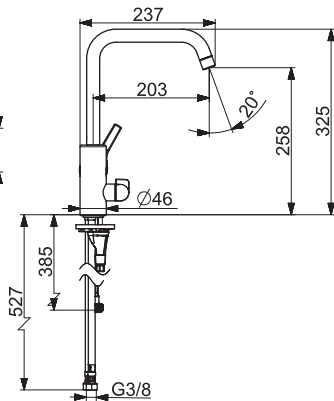
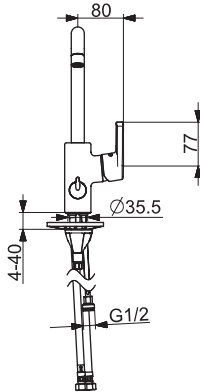
I (ISO 3822)
 EN 817
 50 - 1000 kPa
 0.075 l/s (Eco) **(00066)**
 0.045 l/s (Eco) **(00046)**
 0.1 l/s (300 kPa) **(00066)**
 0.056 l/s (300 kPa) **(00046)**
 0.1 l/s (300 kPa w/Controller) **(00066)**
 0.056 l/s (300 kPa w/Controller) **(00046)**
 180 kPa (0.1 l/s)
 max. +70°C



mpi.hansa.com/5270220300066

5649 2203

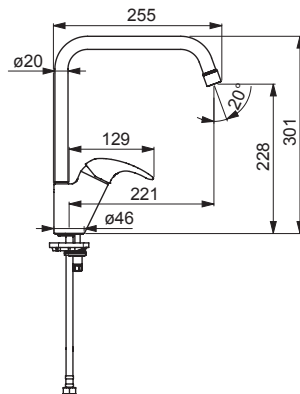
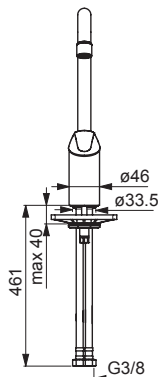
I (ISO 3822)
 EN 817
 50 - 1000 kPa
 0.2 l/s (300 kPa)
 max. +90°C



mpi.hansa.com/56492203

4609 2273

EN 817
 50 - 1000 kPa
 0.20 l/s (300 kPa)
 max. +90°C

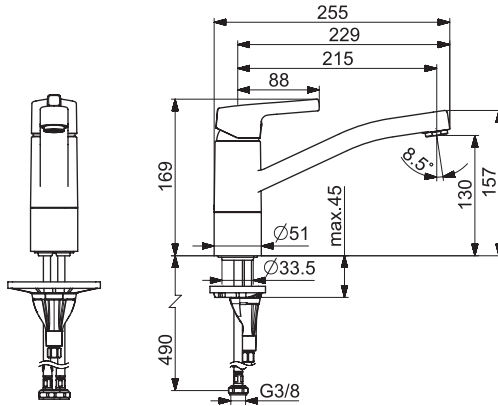


mpi.hansa.com/46092273



5653 2203

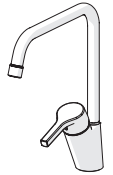
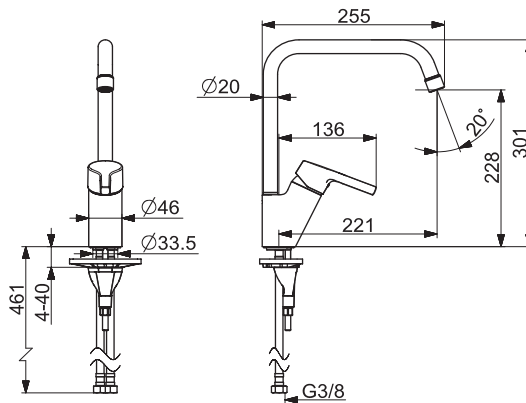
I (ISO 3822)
 EN 817
 50 - 1000 kPa
 0.20 l/s (300 kPa)
 max. +70°C



mpi.hansa.com/56532203

5650 2203

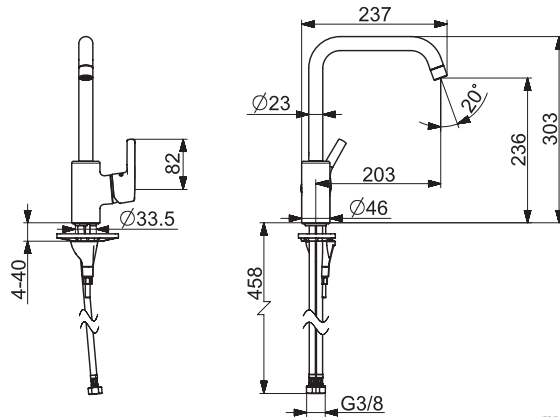
I (ISO 3822)
 EN 817
 50 - 1000 kPa
 0.2 l/s (300 kPa)
 max. +70°C



mpi.hansa.com/56502203

5652 2203

I (ISO 3822)
 EN 817
 50 - 1000 kPa
 0.2 l/s (300 kPa)
 max. +80°C

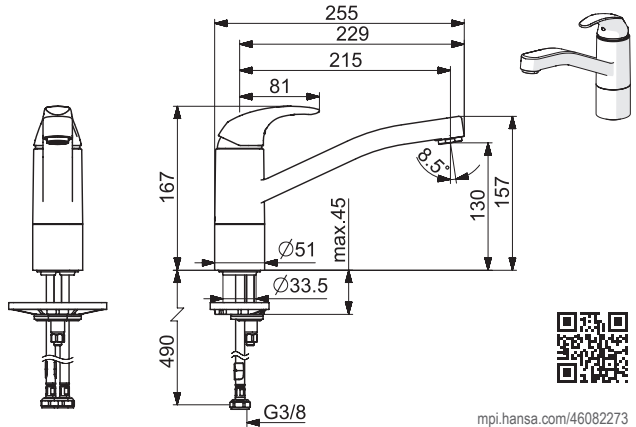


mpi.hansa.com/56522203



4608 2273

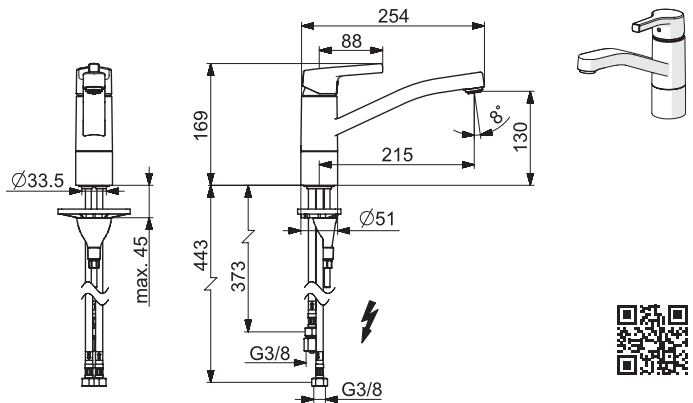
EN 817
50 - 1000 kPa
0.20 l/s (300 kPa)
max. +90°C



mpi.hansa.com/46082273

5648 1103

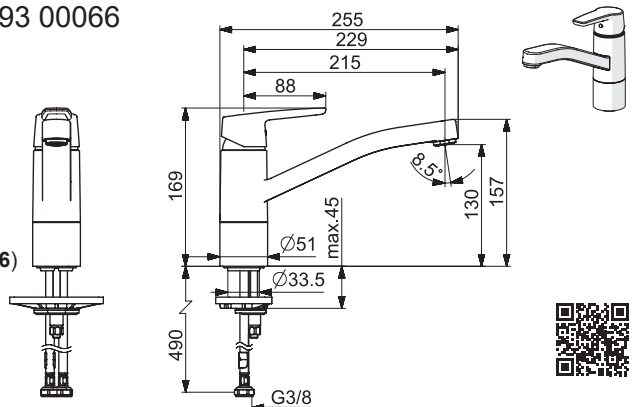
I (ISO 3822)
EN 817
50 - 500 kPa
0.12 l/s (300 kPa)
max. +70°C



mpi.hansa.com/56481103

5148 2293 00046 , 5148 2293 00066

I (ISO 3822)
EN 817
50 - 1000 kPa
0.045 l/s (Eco) **(00046)**
0.066 l/s (Eco) **(00066)**
0.056 l/s (300 kPa) **(00046)**
0.1 l/s (300 kPa) **(00066)**
0.056 l/s (300 kPa w/Controller) **(00046)**
0.1 l/s (300 kPa w/Controller) **(00066)**
max. +70°C

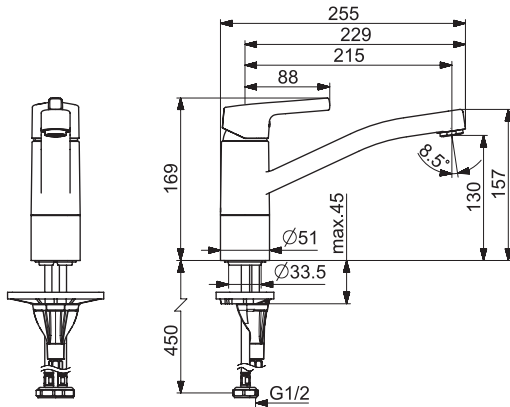


mpi.hansa.com/514822930046



5653 2203 0037

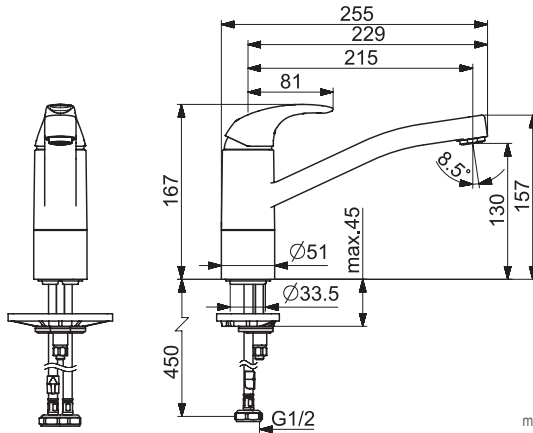
I (ISO3822)
EN 817
50 - 1000 kPa
0.1 l/s (300 kPa w/Controller)
max. +90°C



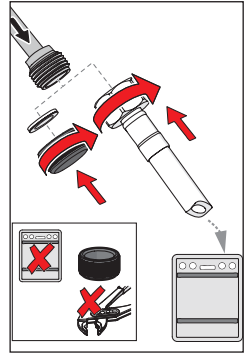
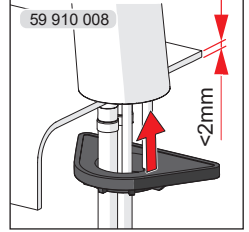
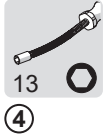
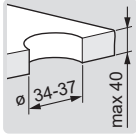
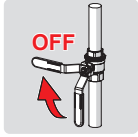
mpi.hansa.com/565322030037

4608 2273 0037

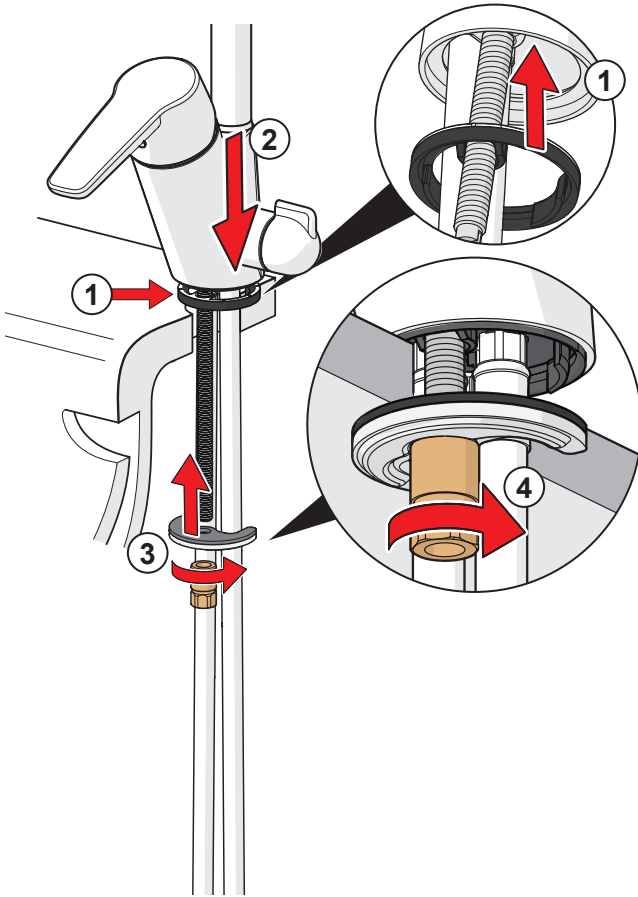
I (ISO 38229 Oras lab.)
EN 817
100 - 1000 kPa
0.2 l/s (300 kPa)
max. +90°C

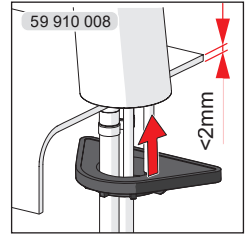
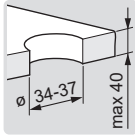
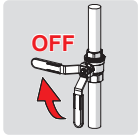


mpi.hansa.com/460822730037

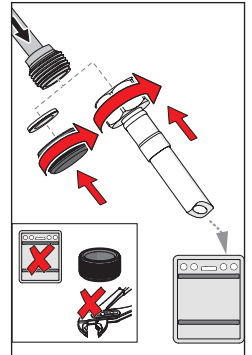
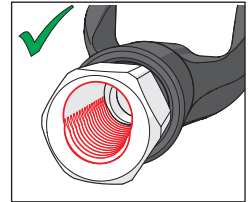
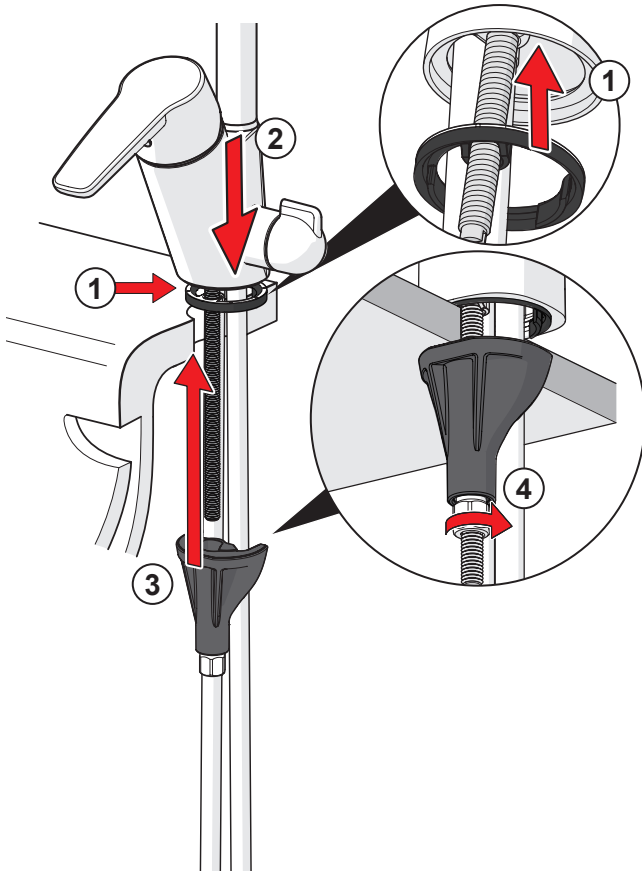


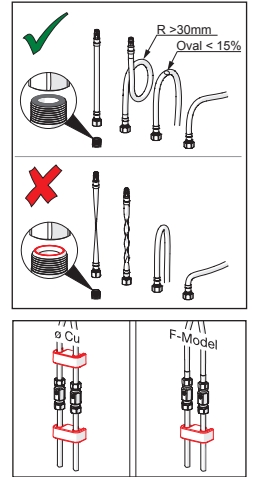
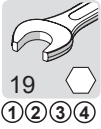
A



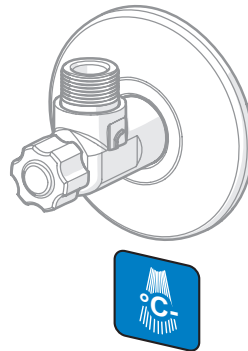
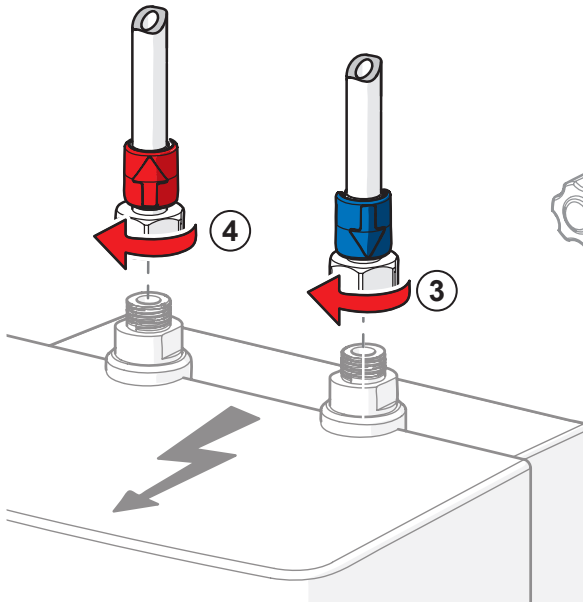
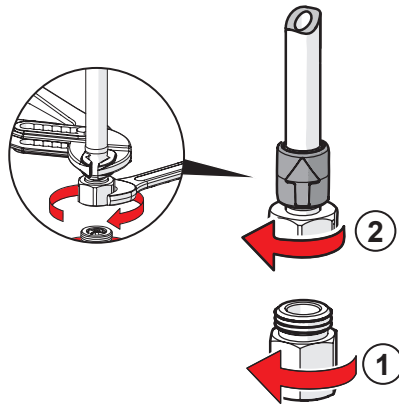


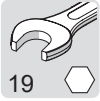
B





2

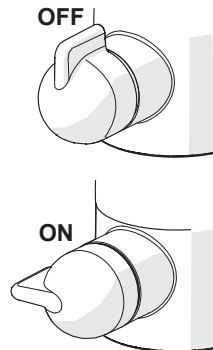
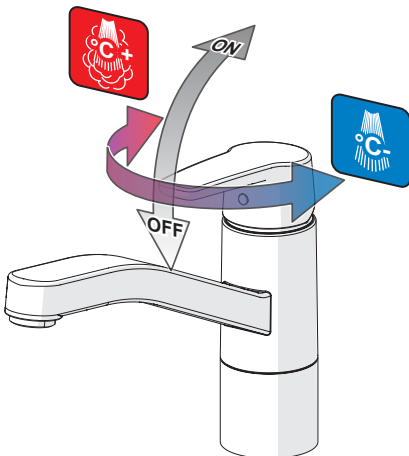
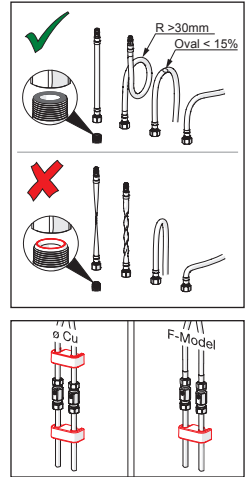
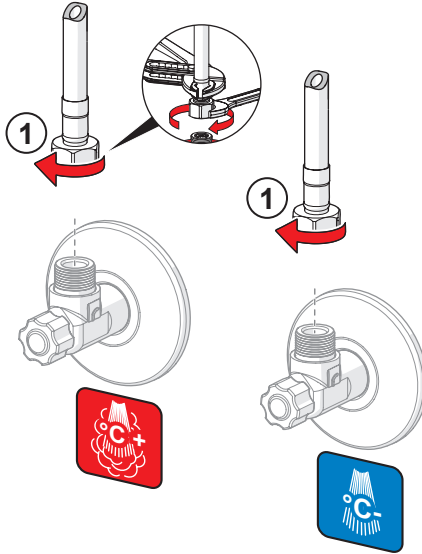




①

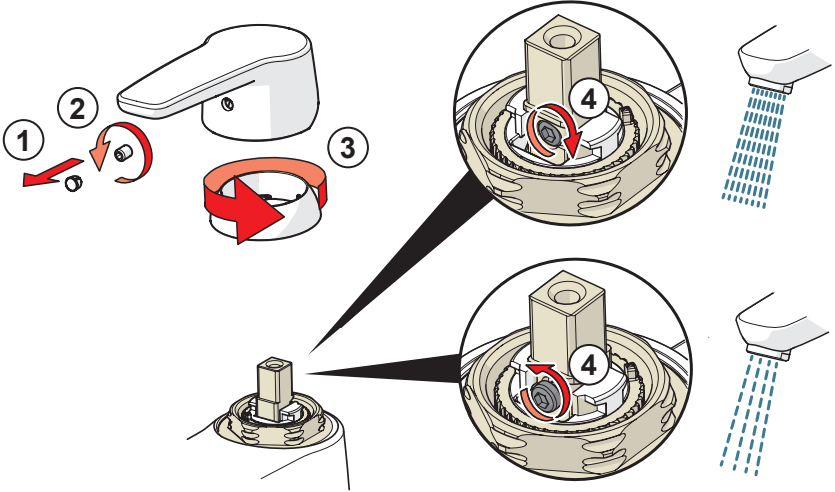
max.
1600 kPa

②





②





②



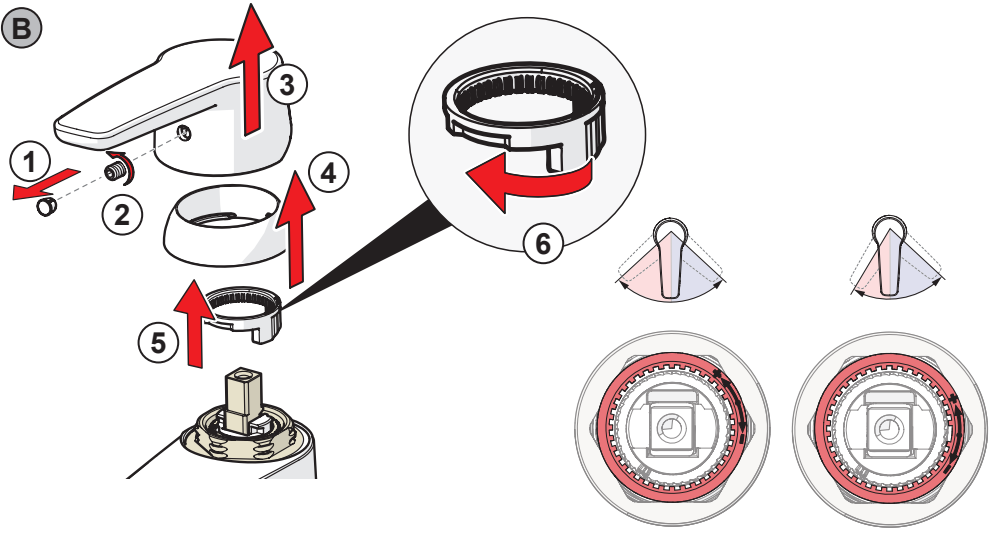
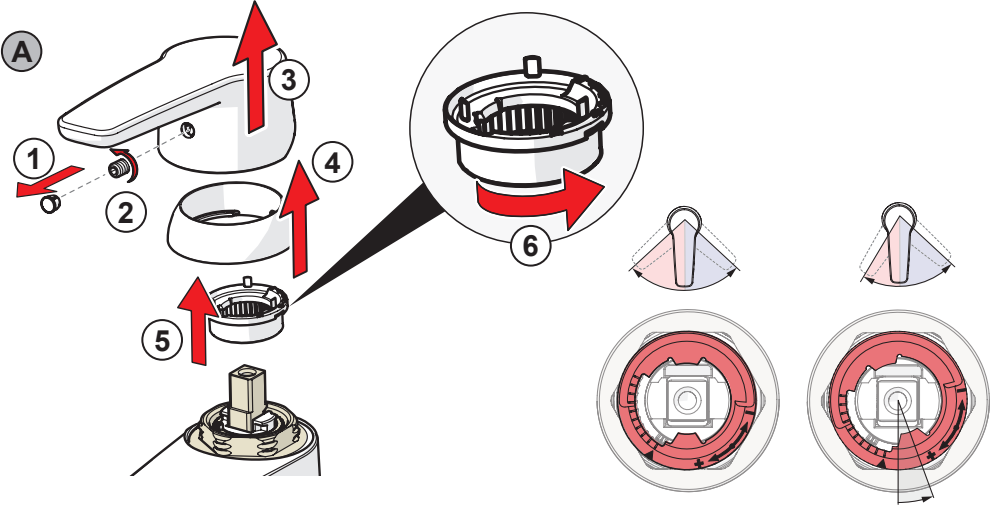
A

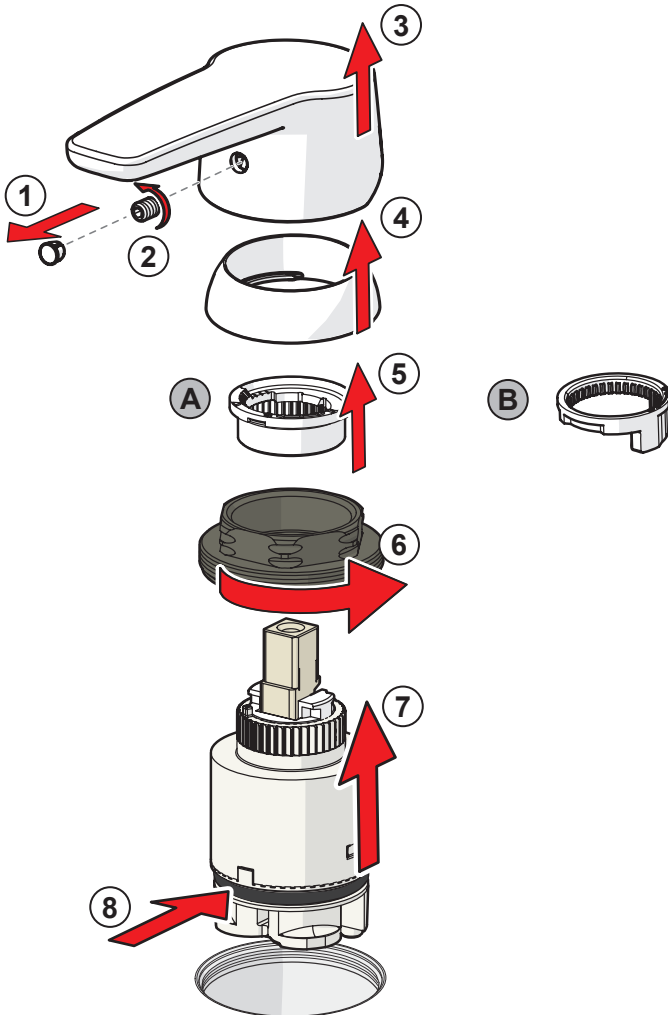
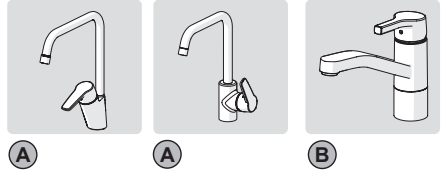
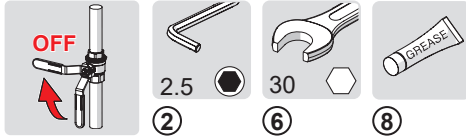
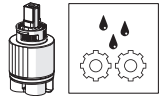


A



B







A1



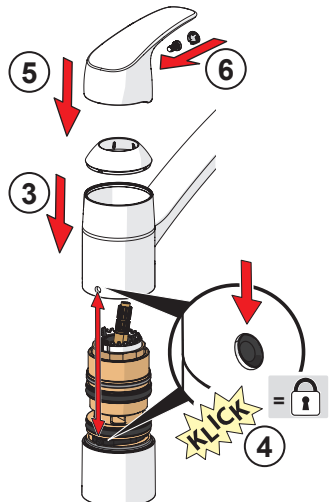
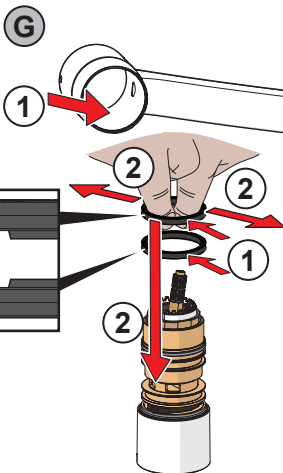
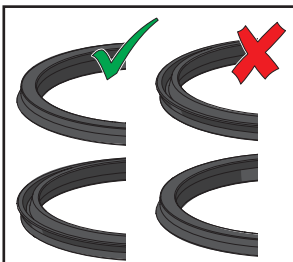
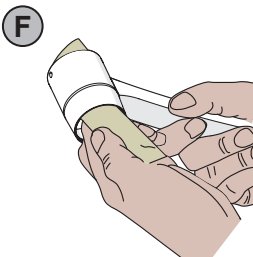
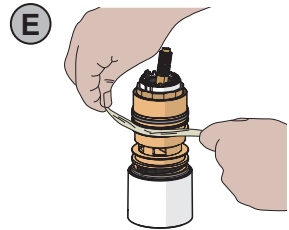
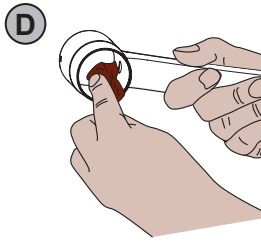
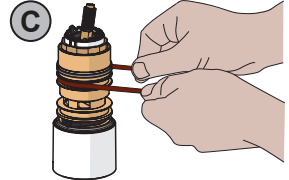
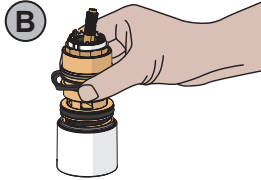
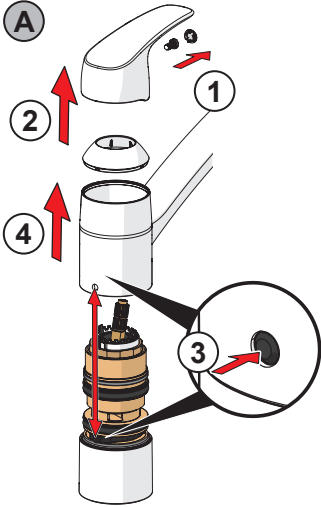
G1

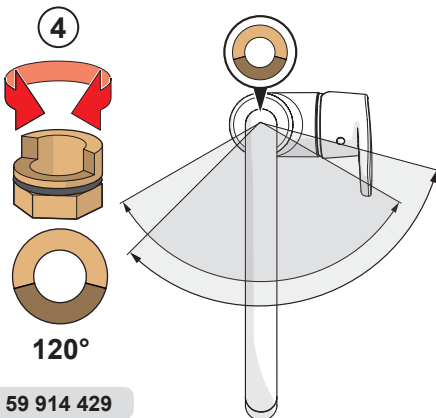
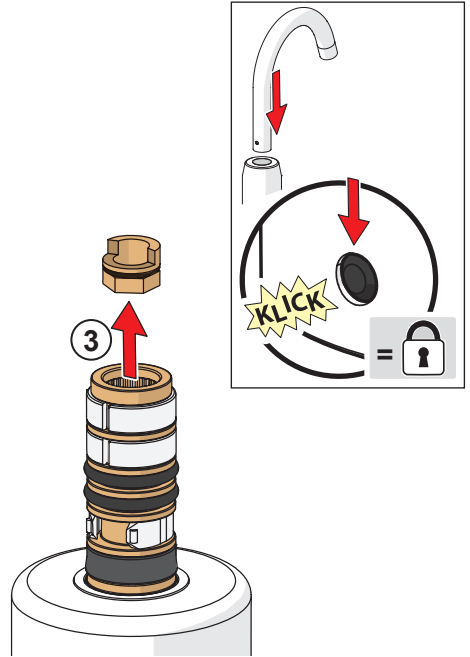
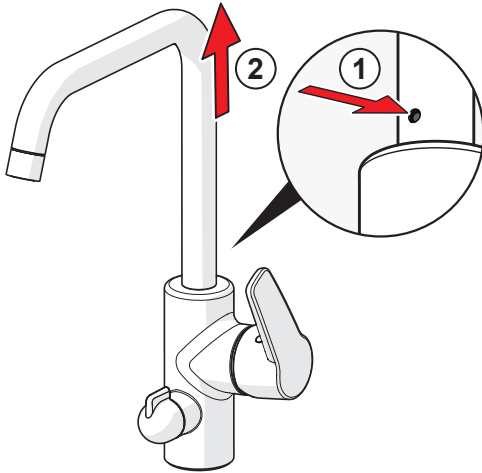
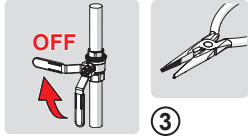


G2

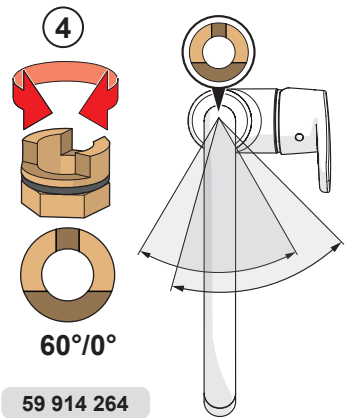


G6

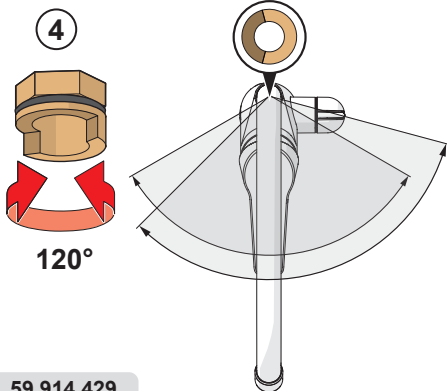
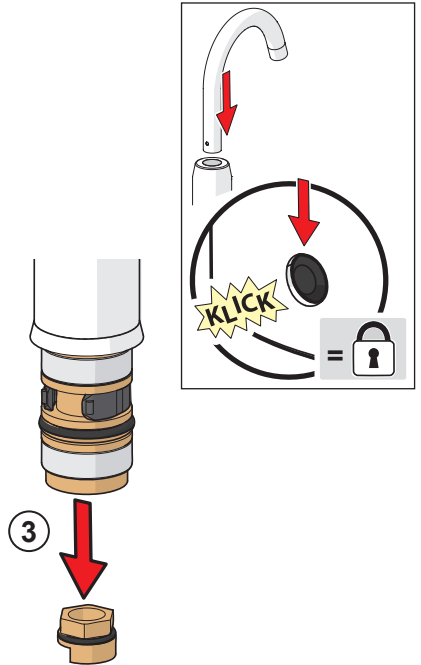
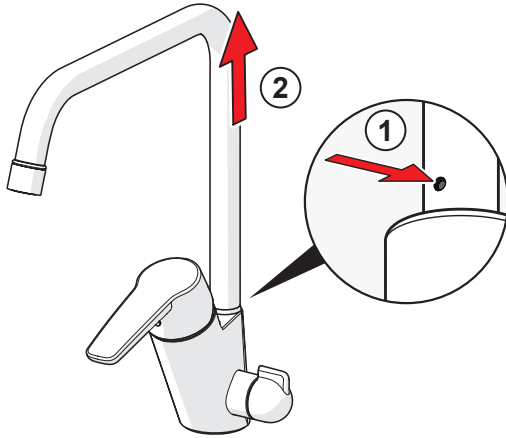
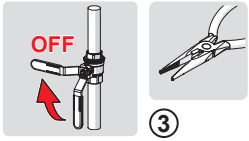




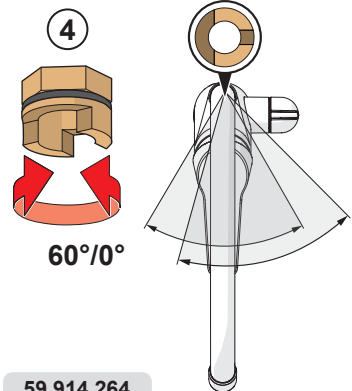
59 914 429



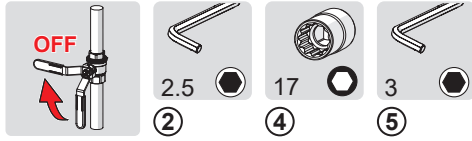
59 914 264



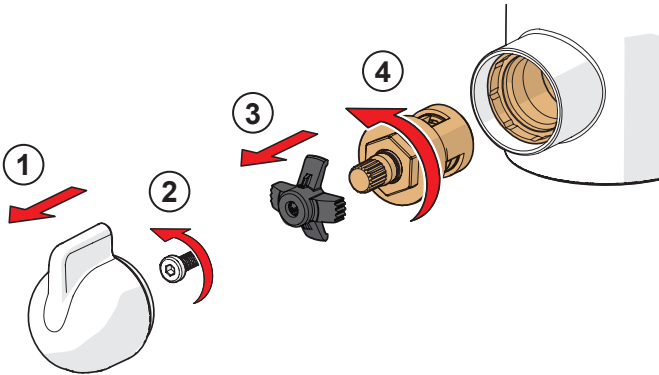
59 914 429



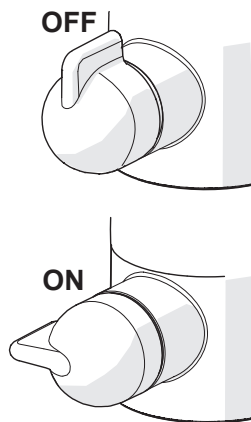
59 914 264

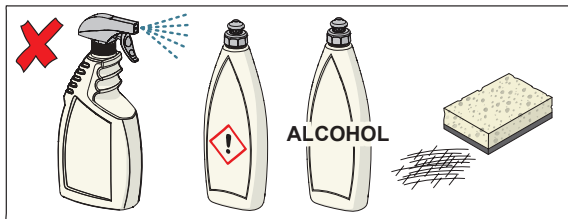
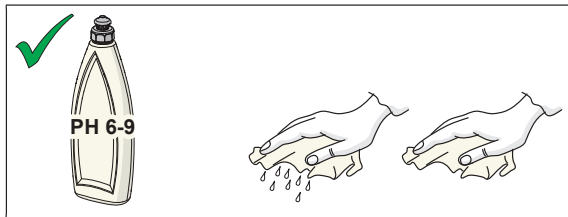
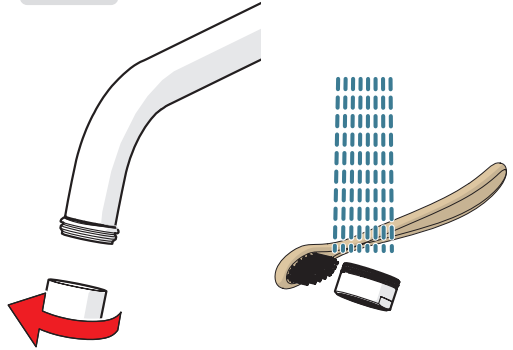
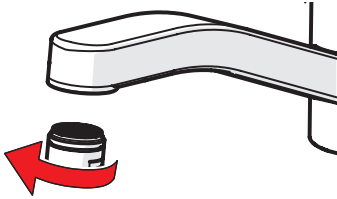


1



2





cleaning.hansa.com

About Oras Group

Oras Group is a significant European provider of sanitary fittings: the market leader in the Nordics and a leading company in Continental Europe.

The company's mission is to create the smartest water experiences for everyone and its vision is to become the Perfect Flow Company.

The Group has two strong brands, Oras and Hansa. Oras Group is owned by Oras Invest, a family company, and an industrial owner.

The domicile of Oras Ltd, the parent company of the Group, is located in Rauma, Finland, and the Group has three manufacturing sites: Kralovice (Czech Republic), Olesno (Poland) and Rauma (Finland).

The Group operates with its own staff in 17 markets. Oras Group's net sales were 233.5 million euros in 2021 and at the end of the period the company employed 1255 people.

HANSA Armaturen GmbH
P. O. BOX 81 02 40
D-70519 Stuttgart
Sigmaringer Strasse 107
D-70567 Stuttgart
Tel.: +49 711 16 14 0
Fax: +49 711 16 14 368
info@hansa.de
www.hansa.com

