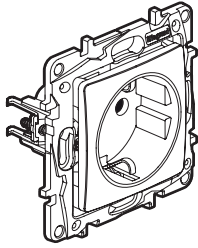
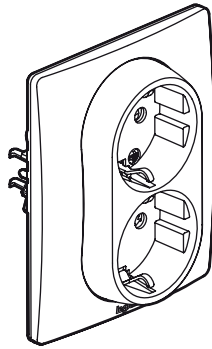


## Niloé™ Step Socket outlets - German Standard

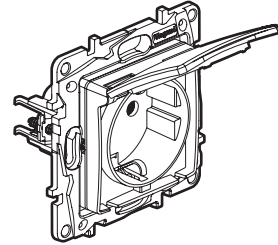
Cat. No(s): 8 641 62/63/64 - 8 643 62/63/64  
 8 645 62/63/64 - 8 646 62/63/64



8 64X 62



8 64X 64



8 64X 63

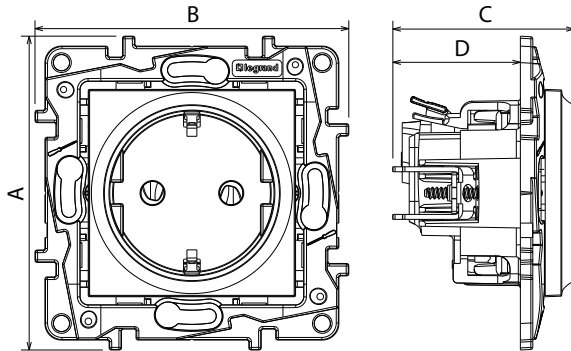
### 1. USE

Socket outlets with shutters.  
 Mechanisms supplied with protection cover.  
 To be equipped with plates one or several gangs.  
 Flush-mounting or surface-mounting.  
 Screw or claw fixing.

### 2. RANGE

Description	White	Aluminium	Black	Sand
2 P+E socket automatic terminal	8 641 62	8 643 62	8 645 62	8 646 62
2 P+E socket automatic terminal with flap cover	8 641 63	8 643 63	8 645 63	8 646 63
2 x 2 P+E compact socket outlet	8 641 64	8 643 64	8 645 64	8 646 64

### 3. DIMENSIONS (mm)



References	A	B	C	D
8 64X 62	75.8	75.8	43.8	30.8
8 64X 63	75.8	75.8	48.7	30.8
8 64X 64	104	86	53.6	31.3

### 4. CONNECTION

References	Type of terminals	Stripping length (mm)
8 64X 62/63	Automatic	12
8 64X 64	Automatic	13

Capacity: 2 x 2.5 mm<sup>2</sup>  
 Flexible or rigid cables compatible

### 5. TECHNICAL CHARACTERISTICS

#### ■ 5.1 Mechanical characteristics

Protection against solid bodies and liquids: IP 20  
 Protection against impact: IK 04

#### ■ 5.2 Material characteristics

Material : - Mechanism housing: PC

- Halogen free

- UV resistant

- Claws: steel

Material of the support: - PC

- Halogen free

Self-extinguishing:

+ 850° C / 30 s for insulating parts holding live parts in place

+ 650° C / 30 s for other parts made of insulating materials

#### ■ 5.3 Electrical characteristics

Voltage: 250 V~

Current: 16 A

Frequency: 50/60 Hz

#### ■ 5.4 Climatic characteristics

Storage and use temperature: - 5° C to + 35° C

### 6. MAINTENANCE

Surface cleaning with a cloth.

Do not use: acetone, tar remover, trichloroethylene.

Maintenance with the following products: Hexane (EN 60669-1), Methylated spirit, Soapy water, Diluted ammonia, Bleach diluted to 10%, Window-cleaning products.

**Caution:** A preliminary test should be carried out if other specific cleaning products are to be used.

### 7. STANDARDS AND APPROVALS

Compliance with standards of installation and manufacturing.  
 Refer to e. catalogue.