

Type 3 surge protection device - TTC-6P-T3-24DC-PT-I - 1027586

Please be informed that the data shown in this PDF Document is generated from our Online Catalog. Please find the complete data in the user's documentation. Our General Terms of Use for Downloads are valid (<http://phoenixcontact.com/download>)



Type 3 surge protection, consisting of protective plug and base element, with integrated status indicator for 24 V DC power supplies.

Your advantages

- ✓ Space-saving installation due to the narrow overall width of 6.2 mm
- ✓ Application setup is easy, since it is the same shape as PTCB device circuit breakers
- ✓ Low voltage protection level, thanks to diode technology
- ✓ Quick and tool-free installation of surge protective devices, thanks to Push-in connection technology
- ✓ Safe behavior in the event of overload, thanks to the integrated disconnect device
- ✓ Simple testing and documentation with CHECKMASTER 2, thanks to pluggable protective modules



Key Commercial Data

Packing unit	1 pc
GTIN	
GTIN	4055626522333

Technical data

Dimensions

Height	105.8 mm
Width	6.2 mm +0.1 mm
Depth	100 mm (incl. DIN rail 7.5 mm)

Ambient conditions

Degree of protection	IP20
Ambient temperature (operation)	-40 °C ... 80 °C
Ambient temperature (storage/transport)	-40 °C ... 80 °C
Altitude	≤ 6000 m (amsl (above mean sea level))
Permissible humidity (operation)	5 % ... 95 %

Type 3 surge protection device - TTC-6P-T3-24DC-PT-I - 1027586

Technical data

Ambient conditions

Shock (operation)	30g (Half-sine / 11 ms / 3x ±X, ±Y, ±Z)
Vibration (operation)	5g (10 ... 150 Hz/20 cycles/axis/X, Y, Z)

General

EN type	T3
IEC power supply system	DC
Number of ports	One
Mode of protection	(DC+) - (DC-)
	(DC+/DC-) - PE
Mounting type	DIN rail: TH 35 - 7.5 mm
Color	traffic grey A RAL 7042
	light grey RAL 7035
Housing material	PBT
Degree of pollution	2
Flammability rating according to UL 94	V-0
Type	DIN rail module, two-section, divisible
Number of positions	2
Surge protection fault message	optical

Additional descriptions

Note	CBM:
	2905743 CBM E4 24DC/0.5-10A NO-R
	2905744 CBM E8 24DC/0.5-10A NO-R
	CBMC:
	2906032 CBMC E4 24DC/1-10A NO
	2908716 CBMC E4 24DC/1-10A NO-C
	2910411 CBMC E4 24DC/1-10A IOL
	PTCB:
	2908262 PTCB E1 24DC/1-8A NO
	CB E1:
	2800907 CB E1 24DC/10A NO P
	2800914 CB E1 24DC/10A S-R P
	2800928 CB E1 24DC/10A S-C P
	2905805 CB E1 24DC/10A SI-R P
	2905812 CB E1 24DC/10A SI-C P

Protective circuit

Nominal voltage U_N	24 V DC
Maximum continuous voltage U_C	30 V DC
Rated load current I_L	6 A (30 °C)
Residual current I_{PE}	≤ 5 µA
Nominal discharge current I_n (8/20) µs	1 kA

Type 3 surge protection device - TTC-6P-T3-24DC-PT-I - 1027586

Technical data

Protective circuit

Combination wave U_{oc}	2 kV (2 Ω)
	6 kV (12 Ω)
Voltage protection level U_p (DC+) - (DC-)	≤ 0.09 kV ($U_{oc} = 2$ kV)
	≤ 0.2 kV ($U_{oc} = 6$ kV)
Voltage protection level U_p (DC+/DC-) - PE	≤ 0.7 kV
	≤ 100 ns
Short-circuit current rating I_{SCCR}	60 A DC (without additional backup fuse)
	220 A DC
Max. backup fuse with branch wiring	6 A (gG)
	10 A (see the note: CBM, CBMC, PTCB, CB E1)
Maximum backup fuse for through wiring	6 A (gG)

Connection data

Connection method	Push-in connection
Conductor cross section flexible	0.2 mm ² ... 2.5 mm ²
Conductor cross section solid	0.2 mm ² ... 4 mm ²
Conductor cross section AWG	24 ... 12
Stripping length	8 mm

Standards and Regulations

Standards/specifications	IEC 61643-11 2011
	EN 61643-11 2012

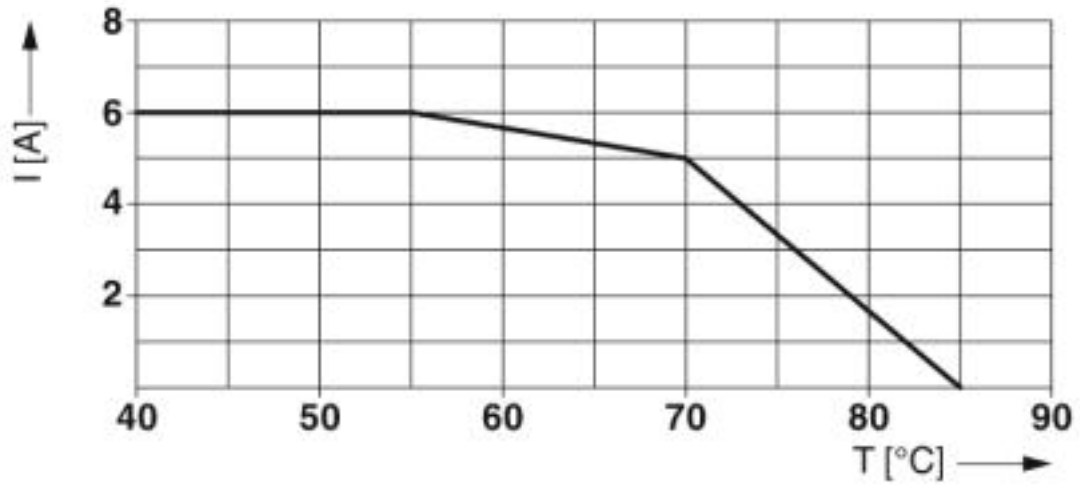
Environmental Product Compliance

REACH SVHC	Lead 7439-92-1
China RoHS	Environmentally Friendly Use Period = 50
	For details about hazardous substances go to tab "Downloads", Category "Manufacturer's declaration"

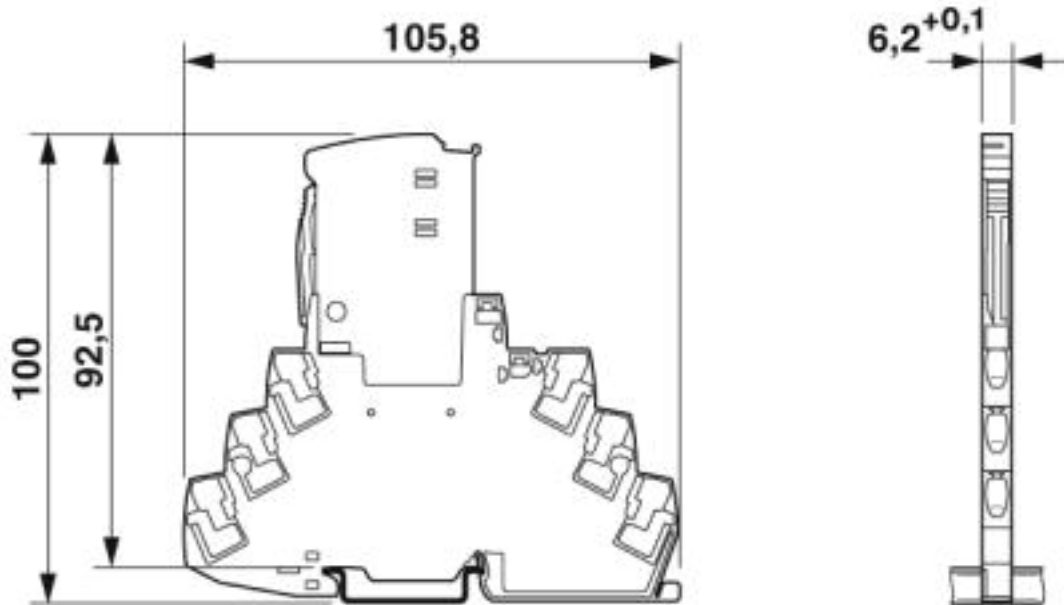
Drawings

Type 3 surge protection device - TTC-6P-T3-24DC-PT-I - 1027586

Diagram

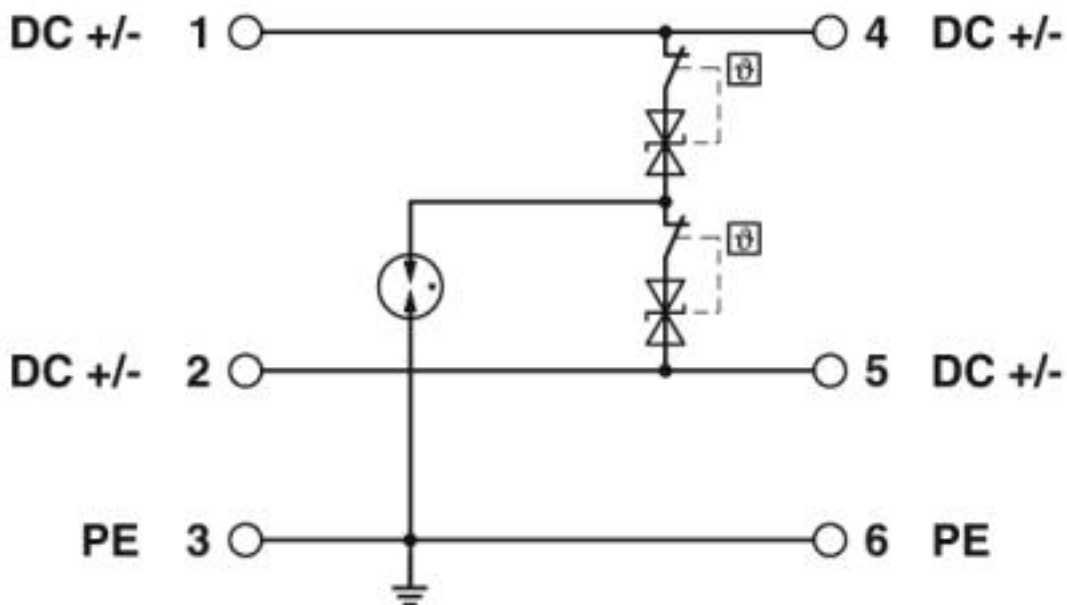


Dimensional drawing



Type 3 surge protection device - TTC-6P-T3-24DC-PT-I - 1027586

Circuit diagram



Approvals

Approvals

Approvals

UL Listed

Ex Approvals

UL Listed / cUL Listed / cULus Listed

Approval details

UL Listed		http://database.ul.com/cgi-bin/XYV/template/LISEXT/1FRAME/index.htm	FILE E 138168
-----------	--	---	---------------

Phoenix Contact 2019 © - all rights reserved
<http://www.phoenixcontact.com>

PHOENIX CONTACT GmbH & Co. KG
Flachsmarktstr. 8
32825 Blomberg
Germany
Tel. +49 5235 300
Fax +49 5235 3 41200
<http://www.phoenixcontact.com>