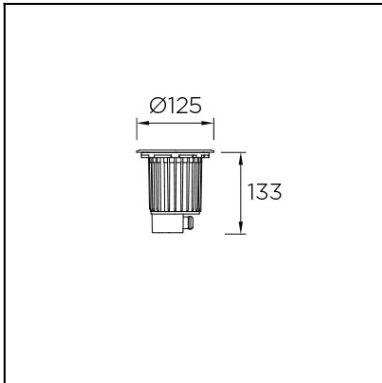


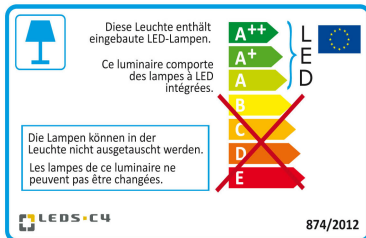


Der Artikel kann von dem auf der Abbildung gezeigten Artikel abweichen. Maßgeblich ist die Beschreibung der Oberflächenverarbeitung.


TECHNISCHE MERKMALE

Art:	BODENEINBAULEUCHTEN
Verstellbar:	±15° auf senkrechter Ebene 360° um senkrechte Ebene
Index Schutzklasse IP:	IP67
Index Beständigkeitsklasse IK:	IK10
Einbauleuchte für Fussgängerübergang:	Si
Lichtquelle 1:	1 x LED Cree 9W Warmes Weiß - 3000K 994 lm ^(N) CRI 80
Gesamtverbrauch (W):	10.5W
Winkel Linsen / Reflektor:	15°, 60°
Spannung / Frequenz:	100-240V/50-60Hz
Garantie (Jahre):	2
Möglichkeit zur Verlängerung der Garantie (Jahre):	5
Einheiten pro Karton:	8
Nettogewicht (Kg):	1.025
EAN:	8435381439958

Download photometric file .ldt / .ies



Bitte auf das Bild klicken, um das Energielabel herunterzuladen.


Materialien / Oberfläche

Material Körper:	Edelstahl AISI 316 hochreines Aluminium	Material Diffusor:	Glas
Oberfläche Körper:	Poliert Schwarz	Oberfläche Diffusor:	Temperiert

GERÄT

Multi-EVG inklusive (100-240V / 50-60Hz)

Lm^(N): Nennlichtfluss der Leuchte unter tatsächlichen Betriebsbedingungen. Der tatsächliche Lichtfluss der Leuchte hängt von den Bedingungen am Aufstellort und dem Wirkungsgrads der Linse und/oder des Diffusors ab.

LEDS-C4 behält sich das Recht vor, die Produkte zu modifizieren und zu verbessern.
Sollten Sie Fragen haben, bitte setzen Sie sich mit unserem Verkaufsteam in Verbindung.

Luminaire

Code 55-9906-CA-CL 15°
 Name Empotrable GEA 9W 15° 3000K

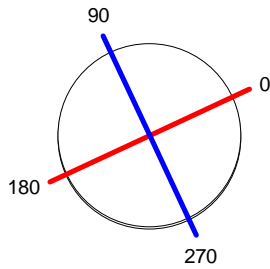
Measur.

Code 55-9906-CA-CM 15
 Name Empotrable GEA 9W 15° 3000K

Luminaire Flux	789.44 lm	Luminaire Power	10.00 W	Efficacy	78.94 lm/W	Efficiency	100.04%
Lamps Flux	789.09 lm	Maximum value	5115.31 cd/klm	Position	C=0.00 G=180.00	CG	Asymmetrical
Round Luminaire Round Luminous Area		Diam. Diam.	125 mm 77 mm	Height Height	3 mm 0 mm		
Horizontal Luminous Area Emitting area on Plane 0° Emitting area on Plane 90°		0.004657 m2 0.000000 m2 0.000000 m2		Emitting area on Plane 180° Emitting area on Plane 270° Glare area at 76°		0.000000 m2 0.000000 m2 0.001127 m2	
Coordinate system Date Measurement Distance		CG 08-04-2016 0.00		Symmetry Type Maximum Gamma Angle Measurement Flux		Asymmetrical 180 789.09 lm	
Operator Temperature Humidity Notes		Asselum T3 25.00 °C 60.00 %		Source Voltage [V] Source current [A] Photocell			

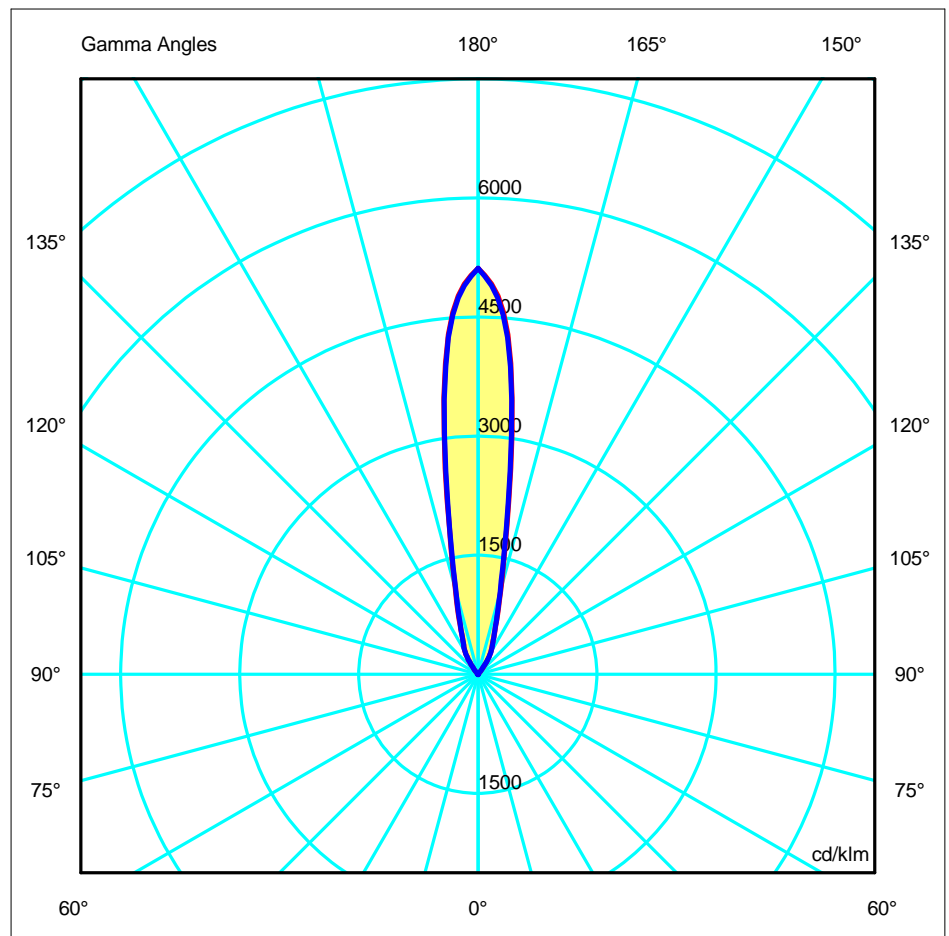
		Luminaire Lamps			
Line	Code	Name	Flux [lm]	Pow. [W]	Q.ty
	55-9906-CA-CL 15°	55-9906-CA-CL 15° - 10.00 W	789.09	10.00	1
C.I.E.	0 0 0 0 100				
F UTE	1.00 T	D DIN 5040 B NBN	-- BZ 10		

Diam=125mm



C Halfplanes
 180.0 — 0.0
 270.0 — 90.0

ULOR 100.00 %
 DLOR 0.04 %
 RN 99.96 %



Luminaire

Code 55-9906-CA-CL 60°
 Name Empotrable GEA 9W 60° 3000K

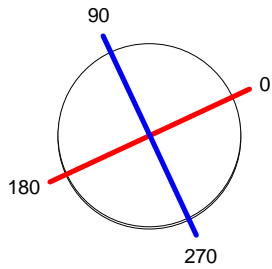
Measur.

Code 55-9906-CA-CM 60
 Name Empotrable GEA 9W 60° 3000K

Luminaire Flux	775.40 lm	Luminaire Power	10.00 W	Efficacy	77.54 lm/W	Efficiency	100.04%
Lamps Flux	775.08 lm	Maximum value	1599.86 cd/klm	Position	C=0.00 G=180.00	CG	Asymmetrical
Round Luminaire Round Luminous Area		Diam. Diam.	125 mm 77 mm	Height Height	3 mm 0 mm		
Horizontal Luminous Area Emitting area on Plane 0° Emitting area on Plane 90°		0.004657 m2 0.000000 m2 0.000000 m2		Emitting area on Plane 180° Emitting area on Plane 270° Glare area at 76°		0.000000 m2 0.000000 m2 0.001127 m2	
Coordinate system Date Measurement Distance		CG 11-04-2016 0.00		Symmetry Type Maximum Gamma Angle Measurement Flux		Asymmetrical 180 775.08 lm	
Operator Temperature Humidity Notes		Asselum T3 25.00 °C 60.00 %		Source Voltage [V] Source current [A] Photocell			

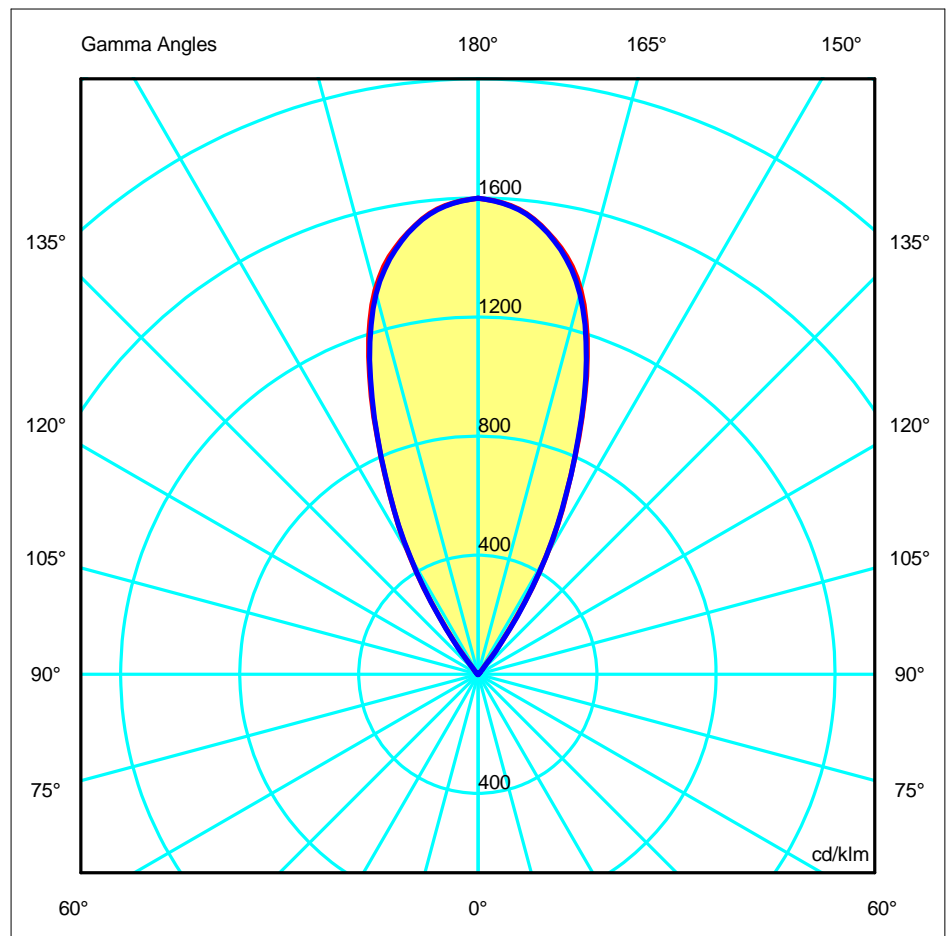
		Luminaire Lamps			
Line	Code	Name	Flux [lm]	Pow. [W]	Q.ty
	55-9906-CA-CL 60°	55-9906-CA-CL 60° - 10.00 W	775.08	10.00	1
C.I.E.	0 0 0 0 100				
F UTE	1.00 T	D DIN 5040 B NBN	-- BZ 10		

Diam=125mm



C Halfplanes
 180.0 ——— 0.0
 270.0 ——— 90.0

ULOR 100.00 %
 DLOR 0.04 %
 RN 99.96 %



Luminaire

Code 55-9906-CA-CM 15°
 Name Empotrable GEA 9W 15° 4000K

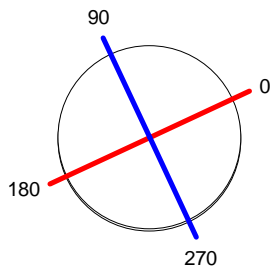
Measur.

Code 55-9906-CA-CM 15
 Name Empotrable GEA 9W 15° 4000K

Luminaire Flux	830.99 lm	Luminaire Power	10.00 W	Efficacy	83.10 lm/W	Efficiency	100.04%
Lamps Flux	830.63 lm	Maximum value	5115.31 cd/klm	Position	C=0.00 G=180.00	CG	Asymmetrical
Round Luminaire Round Luminous Area		Diam. Diam.	125 mm 77 mm	Height Height	3 mm 0 mm		
Horizontal Luminous Area Emitting area on Plane 0° Emitting area on Plane 90°		0.004657 m2 0.000000 m2 0.000000 m2		Emitting area on Plane 180° Emitting area on Plane 270° Glare area at 76°		0.000000 m2 0.000000 m2 0.001127 m2	
Coordinate system Date Measurement Distance		CG 08-04-2016 0.00		Symmetry Type Maximum Gamma Angle Measurement Flux		Asymmetrical 180 830.63 lm	
Operator Temperature Humidity Notes		Asselum T3 25.00 °C 60.00 %		Source Voltage [V] Source current [A] Photocell			

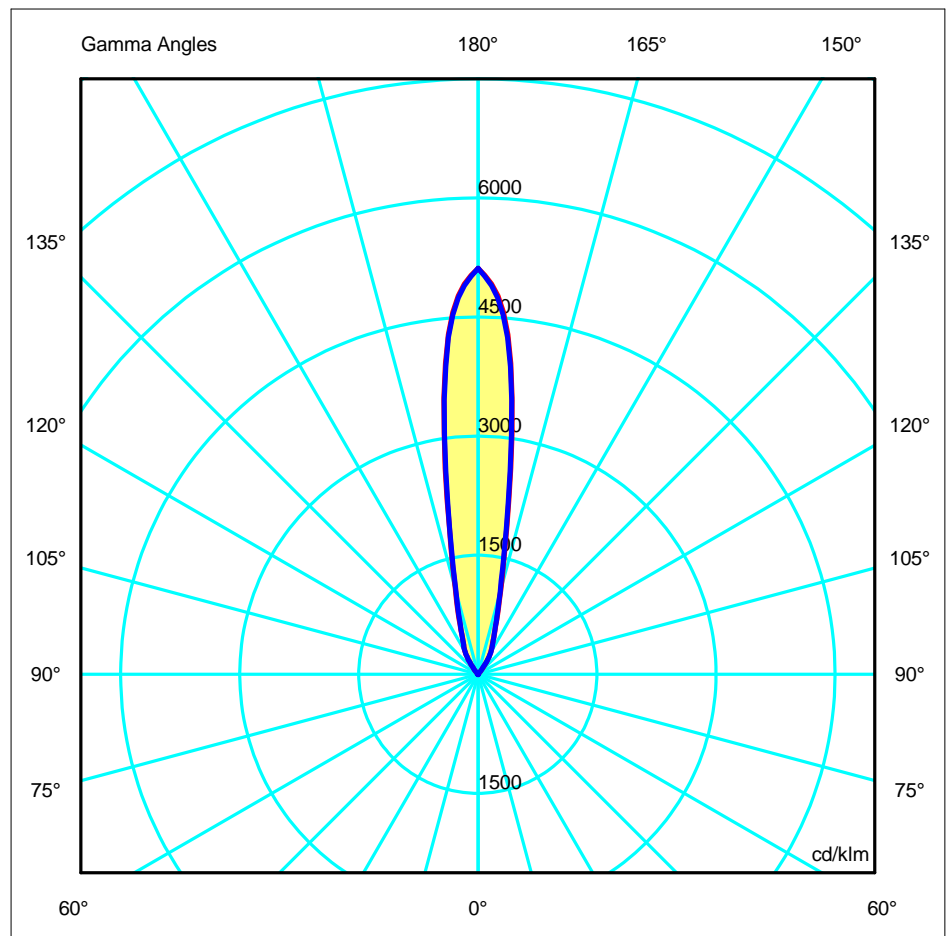
		Luminaire Lamps			
Line	Code	Name	Flux [lm]	Pow. [W]	Q.ty
	55-9906-CA-CM 15°	55-9906-CA-CM 15° - 10.00 W	830.63	10.00	1
C.I.E.	0 0 0 0 100				
F UTE	1.00 T	D DIN 5040 B NBN	-- BZ 10		

Diam=125mm



C Halfplanes
 180.0 — 0.0
 270.0 — 90.0

ULOR 100.00 %
 DLOR 0.04 %
 RN 99.96 %



Luminaire

Code 55-9906-CA-CM 60°
 Name Empotrable GEA 9W 60° 4000K

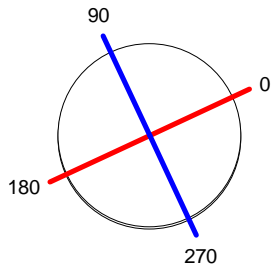
Measur.

Code 55-9906-CA-CM 60
 Name Empotrable GEA 9W 60° 4000K

Luminaire Flux	816.21 lm	Luminaire Power	10.00 W	Efficacy	81.62 lm/W	Efficiency	100.04%
Lamps Flux	815.88 lm	Maximum value	1599.86 cd/klm	Position	C=0.00 G=180.00	CG	Asymmetrical
Round Luminaire Round Luminous Area		Diam.	125 mm	Height	3 mm		
		Diam.	77 mm	Height	0 mm		
Horizontal Luminous Area	0.004657 m2			Emitting area on Plane 180°		0.000000 m2	
Emitting area on Plane 0°	0.000000 m2			Emitting area on Plane 270°		0.000000 m2	
Emitting area on Plane 90°	0.000000 m2			Glare area at 76°		0.001127 m2	
Coordinate system	CG			Symmetry Type		Asymmetrical	
Date	11-04-2016			Maximum Gamma Angle		180	
Measurement Distance	0.00			Measurement Flux		815.88 lm	
Operator	Asselum T3			Source Voltage [V]			
Temperature	25.00 °C			Source current [A]			
Humidity	60.00 %			Photocell			
Notes							

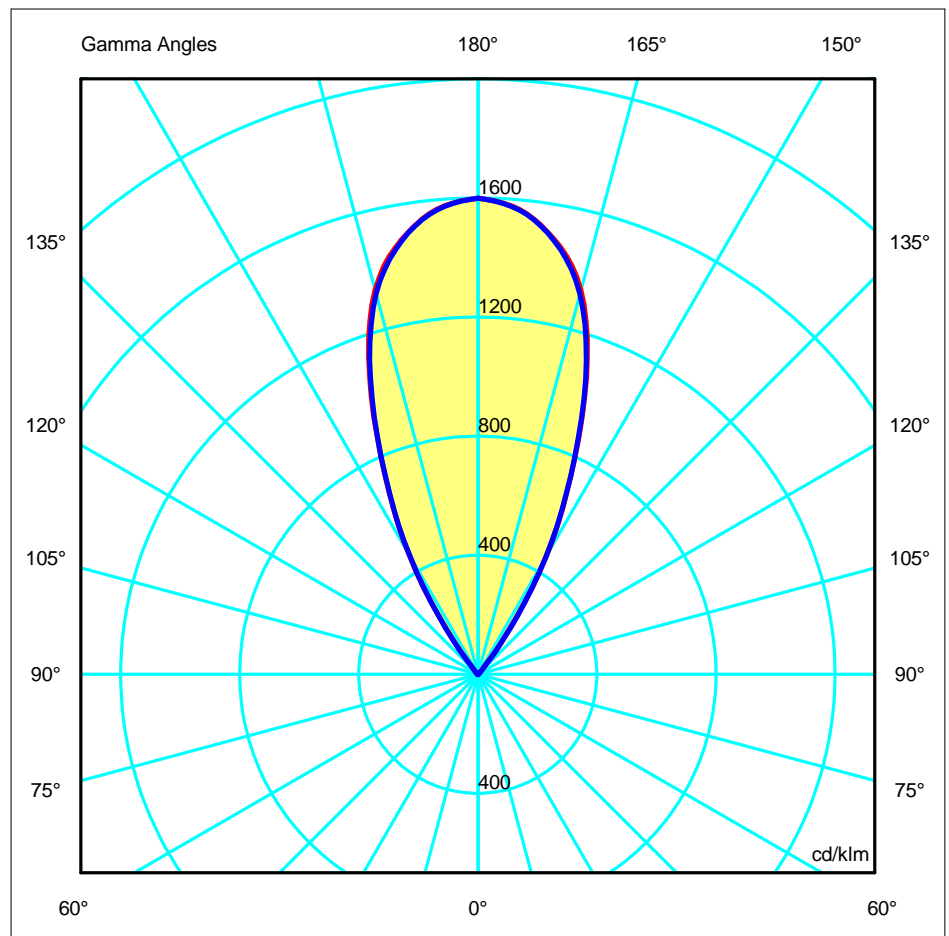
Luminaire Lamps					
Line	Code	Name	Flux [lm]	Pow. [W]	Q.ty
	55-9906-CA-CM 60°	55-9906-CA-CM 60° - 10.00 W	815.88	10.00	1
C.I.E.	0 0 0 0 100				
F UTE	1.00 T	D DIN 5040 B NBN	-- BZ 10		

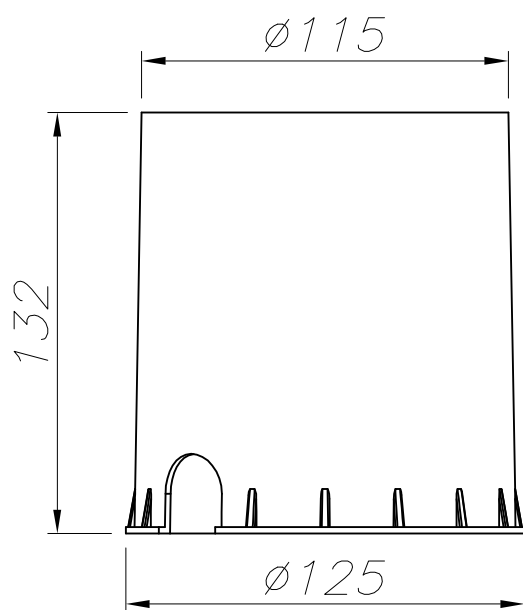
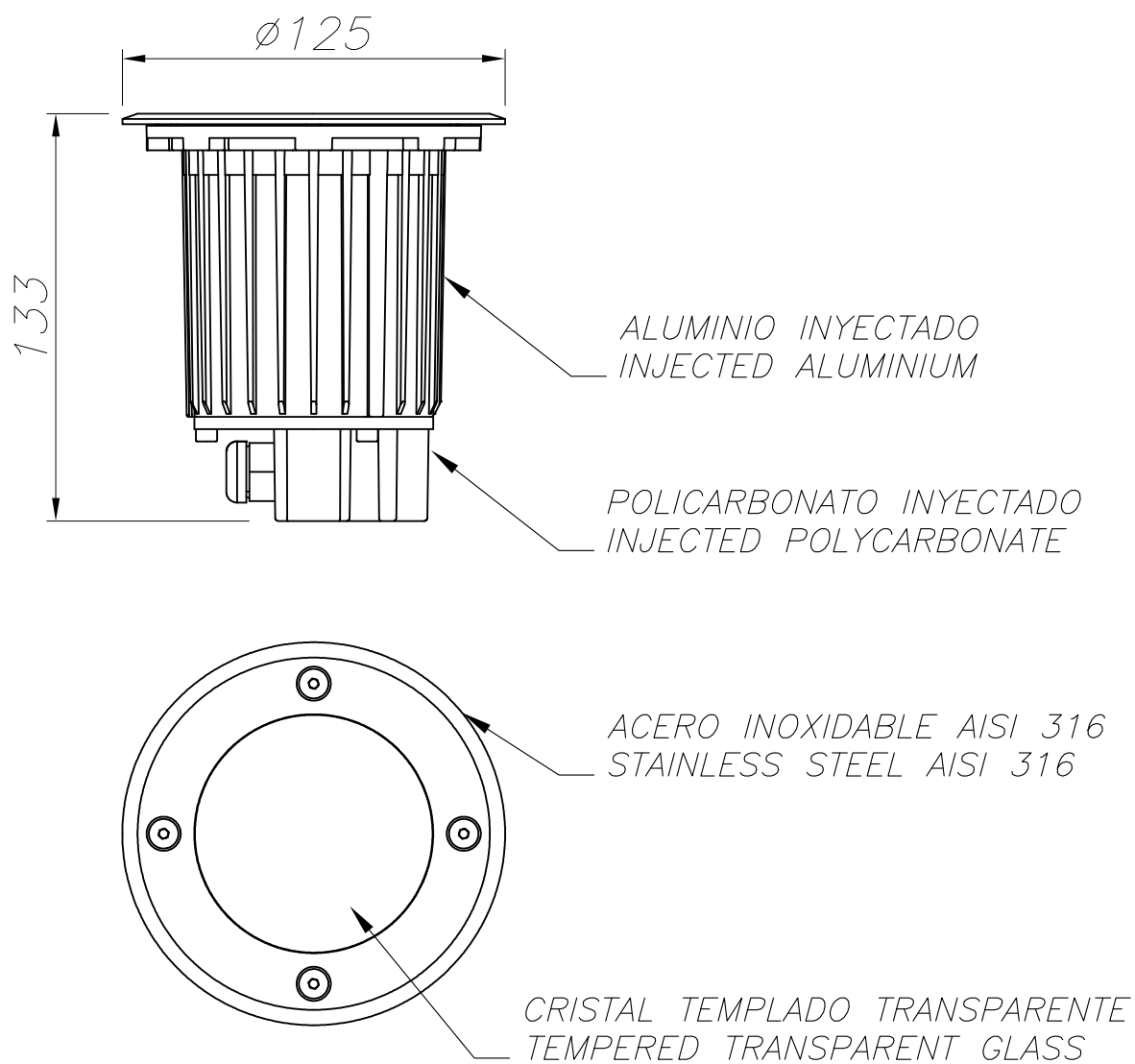
Diam=125mm



C Halfplanes
 180.0 ——— 0.0
 270.0 ——— 90.0

ULOR 100.00 %
 DLOR 0.04 %
 RN 99.96 %





CAJA DE EMPOTRAR
FLUSH FITTING BOX

