

CONTENTS

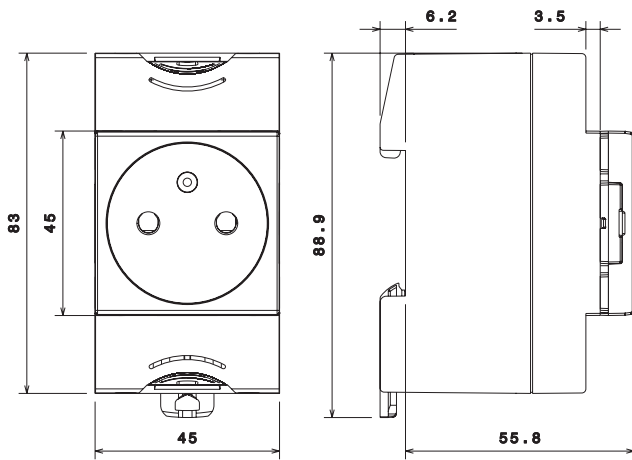
Page

1. Range	1
2. Dimensions	1
3. Technical characteristics	1
4. Installation	1
5. Cleaning	2
6. Conformity	2

1. RANGE

10/16 A - 250V~
Reference 0 042 80 : socket outlet 2P + E shuttered
Reference 0 042 82 : socket outlet 2P+ E shuttered and tamperproof for emergency or specialized circuits
Reference 0 042 83 : socket outlet 2P + E shuttered with indicator light
Reference 0 042 85 : socket outlet 2P + E german standard

2. DIMENSIONS



3. TECHNICAL CHARACTERISTICS

- Thermal current : 10/16 A
- Rated voltage : 250 V~
- Dielectric strength : 2 kV~
- Climatic characteristics
 - Storage temperature : -10°C à +70°C
 - Operating temperature : -5°C à +35°C
- Protection index : IK05
- Direct contact protection : IP2X
- Self-extinguishing : 750°C / 30s
- Materials :
 - Cover and box : Polystyrene
 - Outlet : Polycarbonate
- Color : grey RAL 7035

4. INSTALLATION

4.1 Connection

References 0 042 80/83/85

Automatic connection terminals

Terminal capacity :

Flexible wire without ferrule and solid wire : 2 x 1,5mm² min à 2 x 2,5mm² max

Stripping length : 12 mm

Allow insertion of supply busbars

Reference 0 042 82

Mixed pozidrive screw cage terminal blocks, disengageable and captive.

Allow insertion of supply busbars

Recommended connection cross-sections :

Flexible with ferrule	1,5 to 6 mm ²
Solid	1,5 to 10 mm ²

Required tools :

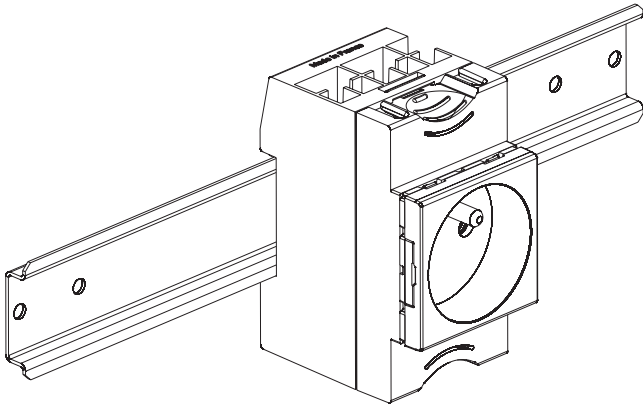
Flat blade screwdriver	Ø4 to 5,5 mm
Crosshead screwdriver	PZ1

Tightening torque :

Min	0,8 Nm
Max	1,8 Nm
Recommended	1,2 Nm

■ 4.2 Fixing

On symmetrical rail DIN 35

**■ 4.3 Operating position**

Vertical, horizontal, upside down, flat

**5. CLEANING**

Surface cleaning with a cloth

Do not use : acetone, degreaser, trichloroethylene

6. CONFORMITY**■ 6.1 Standards**

IEC 60884-1

NF C 61-314

■ 6.2 Plastic materials

Plastic materials halogen-free

■ 6.3 Environment respect

Compliance with European Union Directives

Compliance with Directive 2011/65/EC of 08/06/2011 known as

« RoHS II ».

Compliance with the Directive 91/338/EEC of 18/06/91 and decree 94-647 of 27/07/04.

■ 6.4 Packaging

Design and manufacture of packaging in accordance with decree 98-638 of 27/07/1998 and directive 94/62/CE.